

## Levelling feet

with knurled base

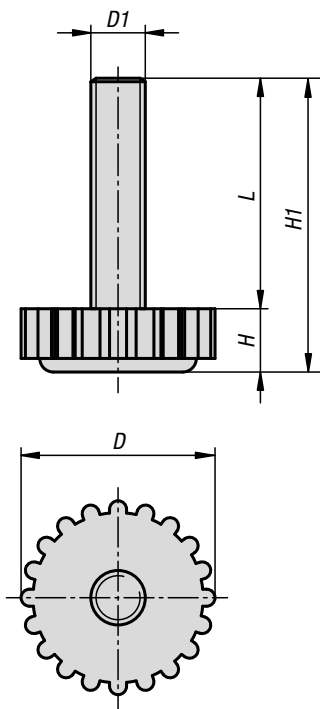


**Material:**  
Polyamide.  
Screw, steel.

**Version:**  
Black.  
Screw electro zinc-plated.

**Sample order:**  
K0677.2805X016  
(include length L)

**Note:**  
Levelling feet with knurled base. Rigid version.



### KIPP Levelling feet with knurled base

Order No.	D	D1	H	H1	L	Load rating max. kN (static load only)
K0677.2805X	28,5	M5	9,3	25,3/29,3/34,3/49,3	16/20/25/40	2
K0677.2806X	28,5	M6	9,3	25,3/29,3/39,3/49,3/59,3	16/20/30/40/50	3,5
K0677.2808X	28,5	M8	9,3	25,3/29,3/39,3/49,3/59,3/69,3/89,3	16/20/30/40/50/60/80	4,5