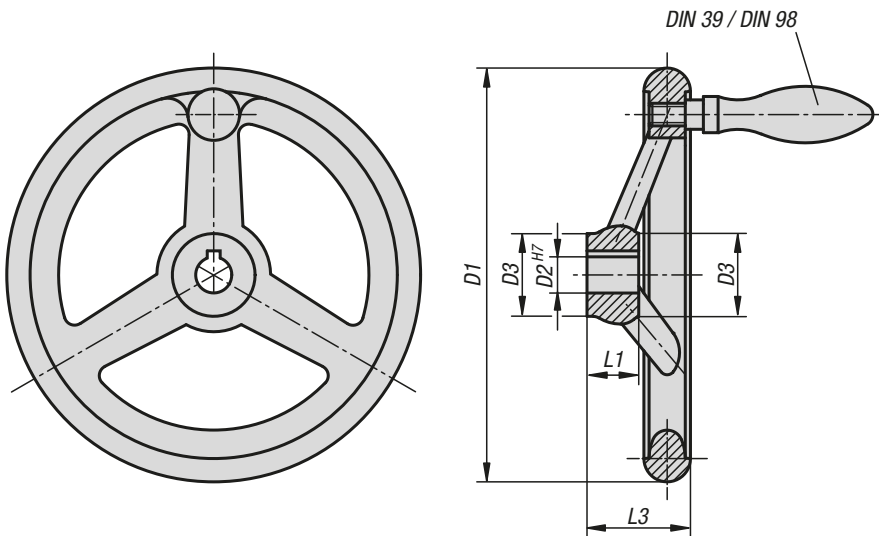


## Handwheels

DIN 950 grey cast iron



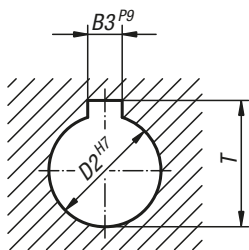
**Material:**  
Handwheel, grey cast iron.  
Grip steel.

**Version:**  
Wheel rim turned and polished.  
Radial and axial run-out of rim < IT 12.

**Sample order:**  
K0671.4080X10

**On request:**  
Hubs with square socket or powder-coated handwheels.

DIN 6885-1



### KIPP Handwheels DIN 950 grey cast iron, without grip

Order No. reamed hole	Order No. reamed hole with slot	D1	D2	D3	L1	L3	B3	T	No. of spokes
K0671.0080X10	K0671.1080X10	80	10H7	25	16	29	-/3	-/11,4	3
K0671.0080X12	K0671.1080X12	80	12H7	25	16	29	-/4	-/13,8	3
K0671.0100X10	K0671.1100X10	100	10H7	26	17	33	-/3	-/11,4	3
K0671.0100X12	K0671.1100X12	100	12H7	26	17	33	-/4	-/13,8	3
K0671.0125X12	K0671.1125X12	125	12H7	33	18	36	-/4	-/13,8	3
K0671.0125X14	K0671.1125X14	125	14H7	33	18	36	-/5	-/16,3	3
K0671.0140X14	K0671.1140X14	140	14H7	33	19	39	-/5	-/16,3	3
K0671.0140X16	K0671.1140X16	140	16H7	33	19	39	-/5	-/18,3	3
K0671.0160X14	K0671.1160X14	160	14H7	37	20	40	-/5	-/16,3	3
K0671.0160X16	K0671.1160X16	160	16H7	37	20	40	-/5	-/18,3	3
K0671.0180X16	K0671.1180X16	180	16H7	36	22	43	-/5	-/18,3	3
K0671.0180X18	K0671.1180X18	180	18H7	36	22	43	-/6	-/20,8	3
K0671.0200X18	K0671.1200X18	200	18H7	38	24	45	-/6	-/20,8	3
K0671.0200X22	K0671.1200X22	200	22H7	38	24	45	-/6	-/24,8	3
K0671.0250X22	K0671.1250X22	250	22H7	46	28	50	-/6	-/24,8	5
K0671.0250X26	K0671.1250X26	250	26H7	46	28	50	-/8	-/29,3	5
K0671.0315X26	K0671.1315X26	315	26H7	54	33	56	-/8	-/29,3	5
K0671.0315X30	K0671.1315X30	315	30H7	54	33	56	-/8	-/33,3	5
K0671.0400X30	K0671.1400X30	400	30H7	68	38	63	-/8	-/33,3	5
K0671.0400X34	K0671.1400X34	400	34H7	68	38	63	-/10	-/37,3	5
K0671.0500X34	K0671.1500X34	500	34H7	79	45	72	-/10	-/37,3	5
K0671.0500X40	K0671.1500X40	500	40H7	79	45	72	-/12	-/43,3	5

# Handwheels

DIN 950 grey cast iron

## KIPP Handwheels DIN 950 grey cast iron, with fixed grip

Order No. reamed hole	Order No. reamed hole with slot	D1	D2	D3	L1	L3	B3	T	No.of spokes	fixed grip DIN 39 Form E
K0671.2080X10	K0671.3080X10	80	10H7	25	16	29	-/3	-/11,4	3	ø16 x M6 x 50
K0671.2080X12	K0671.3080X12	80	12H7	25	16	29	-/4	-/13,8	3	ø16 x M6 x 50
K0671.2100X10	K0671.3100X10	100	10H7	26	17	33	-/3	-/11,4	3	ø16 x M6 x 50
K0671.2100X12	K0671.3100X12	100	12H7	26	17	33	-/4	-/13,8	3	ø16 x M6 x 50
K0671.2125X12	K0671.3125X12	125	12H7	33	18	36	-/4	-/13,8	3	ø20 x M8 x 64
K0671.2125X14	K0671.3125X14	125	14H7	33	18	36	-/5	-/16,3	3	ø20 x M8 x 64
K0671.2140X14	K0671.3140X14	140	14H7	33	19	39	-/5	-/16,3	3	ø20 x M8 x 64
K0671.2140X16	K0671.3140X16	140	16H7	33	19	39	-/5	-/18,3	3	ø20 x M8 x 64
K0671.2160X14	K0671.3160X14	160	14H7	37	20	40	-/5	-/16,3	3	ø25 x M10 x 80
K0671.2160X16	K0671.3160X16	160	16H7	37	20	40	-/5	-/18,3	3	ø25 x M10 x 80
K0671.2180X16	K0671.3180X16	180	16H7	36	22	43	-/5	-/18,3	3	ø25 x M10 x 80
K0671.2180X18	K0671.3180X18	180	18H7	36	22	43	-/6	-/20,8	3	ø25 x M10 x 80
K0671.2200X18	K0671.3200X18	200	18H7	38	24	45	-/6	-/20,8	3	ø25 x M10 x 80
K0671.2200X22	K0671.3200X22	200	22H7	38	24	45	-/6	-/24,8	3	ø25 x M10 x 80
K0671.2250X22	K0671.3250X22	250	22H7	46	28	50	-/6	-/24,8	5	ø32 x M12 x 100
K0671.2250X26	K0671.3250X26	250	26H7	46	28	50	-/8	-/29,3	5	ø32 x M12 x 100
K0671.2315X26	K0671.3315X26	315	26H7	54	33	56	-/8	-/29,3	5	ø32 x M12 x 100
K0671.2315X30	K0671.3315X30	315	30H7	54	33	56	-/8	-/33,3	5	ø32 x M12 x 100
K0671.2400X30	K0671.3400X30	400	30H7	68	38	63	-/8	-/33,3	5	ø36 x M16 x 112
K0671.2400X34	K0671.3400X34	400	34H7	68	38	63	-/10	-/37,3	5	ø36 x M16 x 112
K0671.2500X34	K0671.3500X34	500	34H7	79	45	72	-/10	-/37,3	5	ø36 x M16 x 112
K0671.2500X40	K0671.3500X40	500	40H7	79	45	72	-/12	-/43,3	5	ø36 x M16 x 112

## KIPP Handwheels DIN 950 grey cast iron, with revolving grip

Order No. reamed hole	Order No. reamed hole with slot	D1	D2	D3	L1	L3	B3	T	No.of spokes	revolving grip DIN 98 Form E
K0671.4080X10	K0671.5080X10	80	10H7	25	16	29	-/3	-/11,4	3	ø16 x M6 x 54,5
K0671.4080X12	K0671.5080X12	80	12H7	25	16	29	-/4	-/13,8	3	ø16 x M6 x 54,5
K0671.4100X10	K0671.5100X10	100	10H7	26	17	33	-/3	-/11,4	3	ø16 x M6 x 54,5
K0671.4100X12	K0671.5100X12	100	12H7	26	17	33	-/4	-/13,8	3	ø16 x M6 x 54,5
K0671.4125X12	K0671.5125X12	125	12H7	33	18	36	-/4	-/13,8	3	ø20 x M8 x 67
K0671.4125X14	K0671.5125X14	125	14H7	33	18	36	-/5	-/16,3	3	ø20 x M8 x 67
K0671.4140X14	K0671.5140X14	140	14H7	33	19	39	-/5	-/16,3	3	ø20 x M8 x 67
K0671.4140X16	K0671.5140X16	140	16H7	33	19	39	-/5	-/18,3	3	ø20 x M8 x 67
K0671.4160X14	K0671.5160X14	160	14H7	37	20	40	-/5	-/16,3	3	ø25 x M10 x 83
K0671.4160X16	K0671.5160X16	160	16H7	37	20	40	-/5	-/18,3	3	ø25 x M10 x 83
K0671.4180X16	K0671.5180X16	180	16H7	36	22	43	-/5	-/18,3	3	ø25 x M10 x 83
K0671.4180X18	K0671.5180X18	180	18H7	36	22	43	-/6	-/20,8	3	ø25 x M10 x 83
K0671.4200X18	K0671.5200X18	200	18H7	38	24	45	-/6	-/20,8	3	ø25 x M10 x 83
K0671.4200X22	K0671.5200X22	200	22H7	38	24	45	-/6	-/24,8	3	ø25 x M10 x 83
K0671.4250X22	K0671.5250X22	250	22H7	46	28	50	-/6	-/24,8	5	ø32 x M12 x 105,5
K0671.4250X26	K0671.5250X26	250	26H7	46	28	50	-/8	-/29,3	5	ø32 x M12 x 105,5
K0671.4315X26	K0671.5315X26	315	26H7	54	33	56	-/8	-/29,3	5	ø32 x M12 x 105,5
K0671.4315X30	K0671.5315X30	315	30H7	54	33	56	-/8	-/33,3	5	ø32 x M12 x 105,5
K0671.4400X30	K0671.5400X30	400	30H7	68	38	63	-/8	-/33,3	5	ø36 x M16 x 117
K0671.4400X34	K0671.5400X34	400	34H7	68	38	63	-/10	-/37,3	5	ø36 x M16 x 117
K0671.4500X34	K0671.5500X34	500	34H7	79	45	72	-/10	-/37,3	5	ø36 x M16 x 117
K0671.4500X40	K0671.5500X40	500	40H7	79	45	72	-/12	-/43,3	5	ø36 x M16 x 117