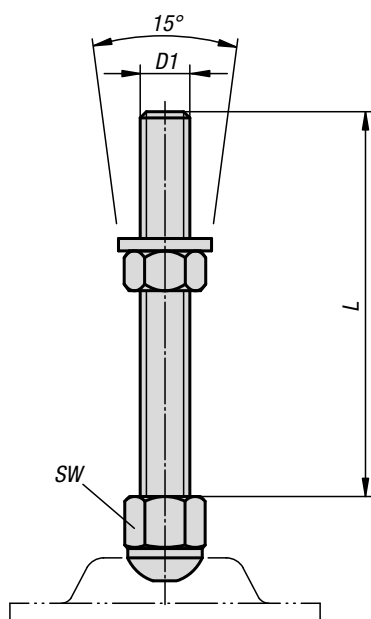


## Levelling feet threaded spindles

steel or stainless steel



**Material:**  
Steel or stainless steel 1.4301.

**Version:**  
Steel electro zinc-plated.  
Stainless steel bright.

**Sample order:**  
K0669.080501  
K0669.080501 and K0672.10801 **assembled**

**Note for ordering:**  
If the levelling foot plate and the threaded spindle are to be supplied assembled, please add the suffix "**assembled**" to the order number for the plate and spindle.  
(e.g. K0669.080501 and K0672.10801 **assembled**).

**Note:**  
Levelling feet consist of a plate and a threaded spindle.  
Any threaded spindle can be combined with any plate.

### KIPP Levelling feet threaded spindles steel or stainless steel

Order No. steel	Order No. stainless steel	D1	L	SW	Load rating max. kN
K0669.080501	K0669.080502	M8	50	17	40
K0669.080801	K0669.080802	M8	80	17	40
K0669.081001	K0669.081002	M8	100	17	40
K0669.081201	K0669.081202	M8	120	17	40
K0669.081501	K0669.081502	M8	150	17	40
K0669.100501	K0669.100502	M10	50	17	40
K0669.100801	K0669.100802	M10	80	17	40
K0669.101001	K0669.101002	M10	100	17	40
K0669.101201	K0669.101202	M10	120	17	40
K0669.101501	K0669.101502	M10	150	17	40
K0669.120501	K0669.120502	M12	50	19	40
K0669.120801	K0669.120802	M12	80	19	40
K0669.121001	K0669.121002	M12	100	19	40
K0669.121201	K0669.121202	M12	120	19	40
K0669.121501	K0669.121502	M12	150	19	40
K0669.160501	K0669.160502	M16	50	24	40
K0669.160801	K0669.160802	M16	80	24	40
K0669.161001	K0669.161002	M16	100	24	40
K0669.161201	K0669.161202	M16	120	24	40
K0669.161501	K0669.161502	M16	150	24	40
K0669.200501	K0669.200502	M20	50	30	40
K0669.200801	K0669.200802	M20	80	30	40
K0669.201001	K0669.201002	M20	100	30	40
K0669.201201	K0669.201202	M20	120	30	40
K0669.201501	K0669.201502	M20	150	30	40