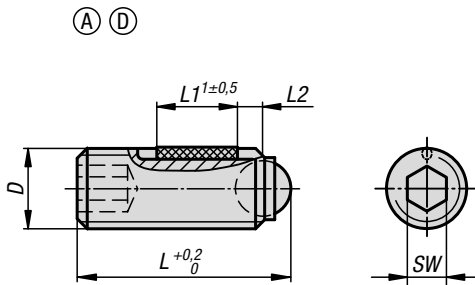


Ball-end thrust screws without head

with full ball, with thread lock



Drawing reference:

Form A: steel ball
Form D: POM ball

L2 = approx. 2x pitch

Material:

Screw carbon steel, grade 10.9
Ball, ball-bearing steel or POM.
Thread lock nylon.

Version:

Screw black.
Ball hardened, bright.

Sample order:

K0666.1046

Note:

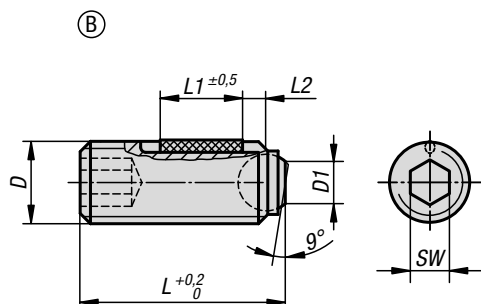
Ball-end thrust screws with full ball are used when a clean, polished contact surface is required.

KIPP Ball-end thrust screws without head, steel, with full ball, with thread lock

Order No. Form A	Order No. Form D	D	L	L1	Ball-Ø	SW	Load rating max. kN (static load only)
K0666.1046	K0666.3046	M4	6	2,5	2,5	2	3,5/0,3
K0666.10410	K0666.30410	M4	10	3,5	2,5	2	3,5/0,3
K0666.10416	K0666.30416	M4	16	5	2,5	2	3,5/0,3
K0666.1058	K0666.3058	M5	8	3,5	3	2,5	4,5/0,5
K0666.10512	K0666.30512	M5	12	5	3	2,5	4,5/0,5
K0666.10520	K0666.30520	M5	20	6	3	2,5	4,5/0,5
K0666.10610	K0666.30610	M6	10,8	3,5	4	3	9/0,9
K0666.10616	K0666.30616	M6	16,8	7	4	3	9/0,9
K0666.10620	K0666.30620	M6	20,8	7	4	3	9/0,9
K0666.10625	K0666.30625	M6	25,8	7	4	3	9/0,9
K0666.10650	-	M6	50,8	7	4	3	9
K0666.10660	-	M6	60,8	7	4	3	9
K0666.10810	K0666.30810	M8	11,2	3,5	5,5	4	10/1,5
K0666.10812	K0666.30812	M8	13,2	5	5,5	4	10/1,5
K0666.10820	K0666.30820	M8	21,2	8	5,5	4	15/1,5
K0666.10825	K0666.30825	M8	26,2	8	5,5	4	15/1,5
K0666.10830	K0666.30830	M8	31,2	8	5,5	4	15/1,5
K0666.10850	-	M8	51,2	8	5,5	4	15
K0666.10860	-	M8	61,2	8	5,5	4	15
K0666.10880	-	M8	81,2	8	5,5	4	15
K0666.11012	K0666.31012	M10	13,7	5	7	5	20/2
K0666.11016	K0666.31016	M10	17,7	9	7	5	20/2
K0666.11020	K0666.31020	M10	21,7	9	7	5	20/2
K0666.11025	K0666.31025	M10	26,7	9	7	5	20/2
K0666.11035	K0666.31035	M10	36,7	9	7	5	20/2
K0666.11216	K0666.31216	M12	18	8	8,5	6	30/3
K0666.11220	K0666.31220	M12	22	10	8,5	6	30/3
K0666.11230	K0666.31230	M12	32	10	8,5	6	30/3
K0666.11240	K0666.31240	M12	42	10	8,5	6	30/3
K0666.11620	-	M16	23,3	10	12	8	60
K0666.11625	-	M16	28,3	14	12	8	60
K0666.11635	-	M16	38,3	14	12	8	60
K0666.11650	-	M16	53,3	14	12	8	60

Ball-end thrust screws without head

with flattened ball, with thread lock



Material:

Screw carbon steel, grade 10.9
Ball, ball-bearing steel.
Thread lock nylon.

Version:

Screw black.
Ball hardened, bright.

Sample order:

K0666.20610

Note:

Surfaces which are not flat and parallel can be firmly clamped or supported with a flattened ball, the movable ball can adapt itself up to 9°.

Drawing reference:

Form B: with flattened ball

L2 = approx. 2x pitch

KIPP Ball-end thrust screws without head, with flattened ball, steel, with thread lock

Order No. Form B	D	D1	L	L1	Ball-Ø	SW	Load rating max. kN (static load only)
K0666.20610	M6	3	10,1	3,5	4	3	9
K0666.20616	M6	3	16,1	7	4	3	9
K0666.20620	M6	3	20,1	7	4	3	9
K0666.20625	M6	3	25,1	7	4	3	9
K0666.20650	M6	3	50,1	7	4	3	9
K0666.20660	M6	3	60,1	7	4	3	9
K0666.20810	M8	4,1	10,3	3,5	5,5	4	10
K0666.20812	M8	4,1	12,3	5	5,5	4	10
K0666.20820	M8	4,1	20,3	8	5,5	4	15
K0666.20825	M8	4,1	25,3	8	5,5	4	15
K0666.20830	M8	4,1	30,3	8	5,5	4	15
K0666.20850	M8	4,1	50,3	8	5,5	4	15
K0666.20860	M8	4,1	60,3	8	5,5	4	15
K0666.20880	M8	4,1	80,3	8	5,5	4	15
K0666.21012	M10	5,6	12,3	5	7	5	20
K0666.21016	M10	5,6	16,3	9	7	5	20
K0666.21020	M10	5,6	20,3	9	7	5	20
K0666.21025	M10	5,6	25,3	9	7	5	20
K0666.21035	M10	5,6	35,3	9	7	5	20
K0666.21216	M12	7	16,2	8	8,5	6	30
K0666.21220	M12	7	20,2	10	8,5	6	30
K0666.21230	M12	7	30,2	10	8,5	6	30
K0666.21240	M12	7	40,2	10	8,5	6	30
K0666.21620	M16	10,7	20	10	12	8	60
K0666.21625	M16	10,7	25	14	12	8	60
K0666.21635	M16	10,7	35	14	12	8	60
K0666.21650	M16	10,7	50	14	12	8	60