

Spacer rings stainless steel



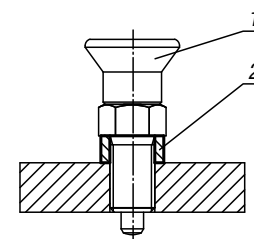
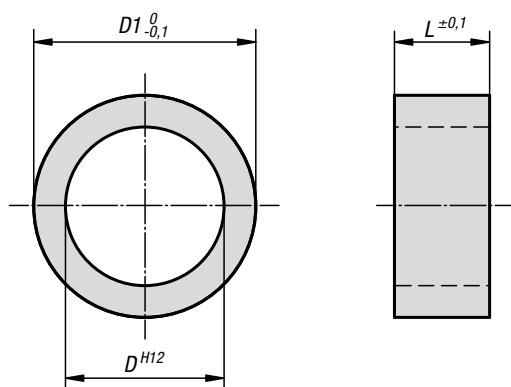
Material:
1.4305 or 1.4404 stainless steel.

Version:
Bright.

Sample order:
K0665.90811021

Note:
Spacer rings are used to adjust the indexing plunger thread length to suit the application wall thickness.

Drawing reference:
1) Indexing plunger
2) Spacer ring



KIPP Spacer rings stainless steel

Order No. 1.4305	Order No. 1.4404	D	D1	L
K0665.90811021	K0665.90811022	8	11	2
K0665.90811031	K0665.90811032	8	11	3
K0665.90811041	K0665.90811042	8	11	4
K0665.90811061	K0665.90811062	8	11	6
K0665.90811081	K0665.90811082	8	11	8
K0665.91014021	K0665.91014022	10	14	2
K0665.91014031	K0665.91014032	10	14	3
K0665.91014041	K0665.91014042	10	14	4
K0665.91014061	K0665.91014062	10	14	6
K0665.91014081	K0665.91014082	10	14	8
K0665.91215021	K0665.91215022	12	15	2
K0665.91215041	K0665.91215042	12	15	4
K0665.91215051	K0665.91215052	12	15	5
K0665.91215061	K0665.91215062	12	15	6
K0665.91215081	K0665.91215082	12	15	8
K0665.91217021	K0665.91217022	12	17	2
K0665.91217041	K0665.91217042	12	17	4
K0665.91217051	K0665.91217052	12	17	5
K0665.91217061	K0665.91217062	12	17	6
K0665.91217081	K0665.91217082	12	17	8
K0665.91621041	K0665.91621042	16	21	4
K0665.91621051	K0665.91621052	16	21	5
K0665.91621061	K0665.91621062	16	21	6
K0665.91621081	K0665.91621082	16	21	8
K0665.91621101	K0665.91621102	16	21	10