

Spherical seating nuts

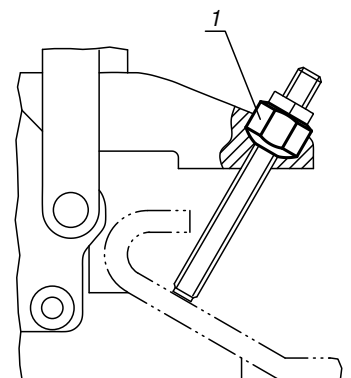
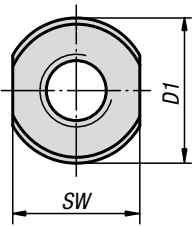
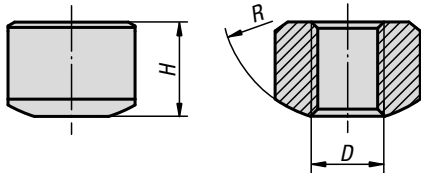


Material:
Steel or stainless steel.

Version:
Steel black oxidised.
Stainless steel bright.

Sample order:
K0664.04

Drawing reference:
1) Weldable



KIPP Spherical seating nuts

Order No. steel	Order No. stainless steel	D	H	D1	SW	R
K0664.04	K0664.104	M4	5,2	8	7	7
K0664.05	K0664.105	M5	6,7	10	9	9
K0664.06	K0664.106	M6	9,5	13,5	12,2	10
K0664.08	K0664.108	M8	12,8	18	15,3	12
K0664.10	-	M10	12,1	20	18,2	14
K0664.12	-	M12	14,8	23	20	16