

Toggle clamps vertical

with flat foot and adjustable clamping spindle



Material:

Steel.
Grip polyamide.

Version:

Carbonitrided and black oxidised.
Grip blue, black or red.

Sample order:

K0662.005001
(blue grip)

Note for ordering:

Δ Enter the desired grip colour here.

Note:

Maintenance-free high quality link bushings.
Sustainable constant use of force during opening and closing. Optimum stability through the conical, U-profile clamping arm.

On request:

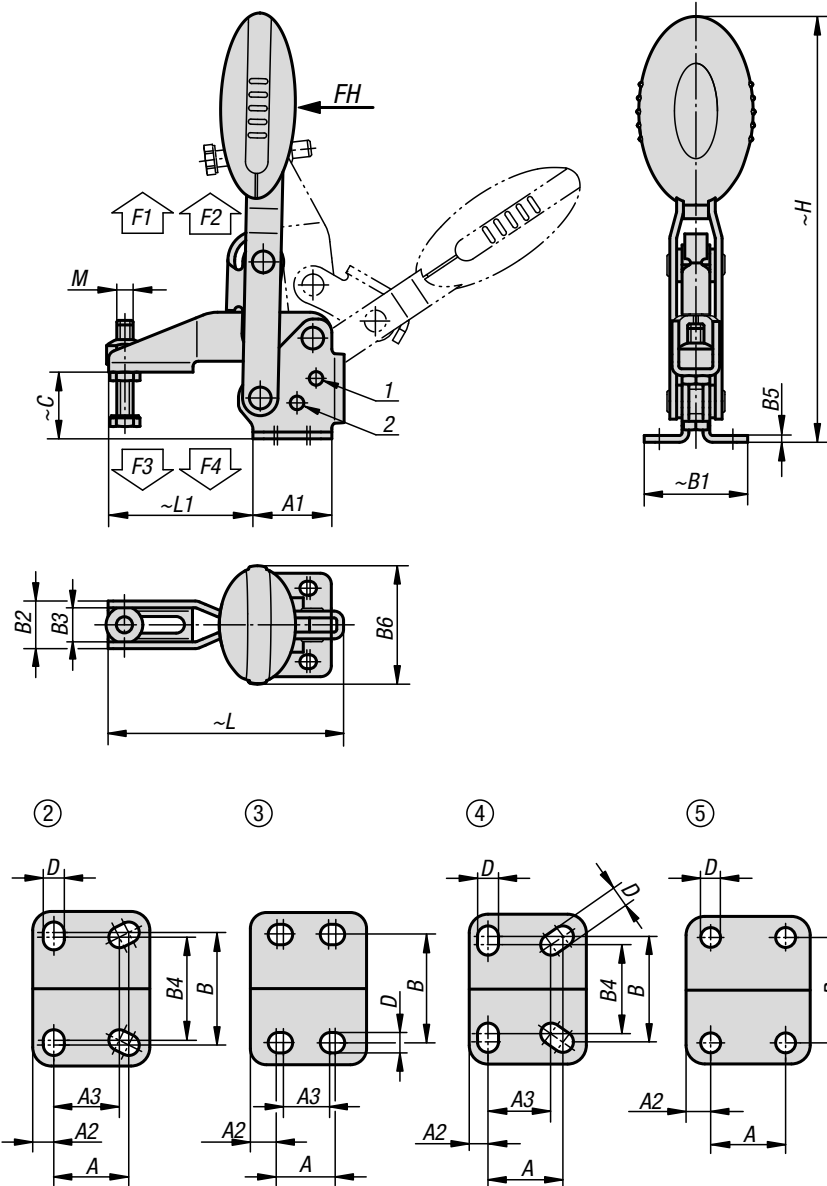
Other grip colours.

Accessories:

- K0106
- K0098
- K0383
- K0388
- K0390
- K0391
- K0392
- K0393

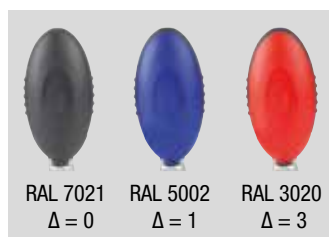
Drawing reference:

- 1) stop pin position 1
- 2) stop pin position 2

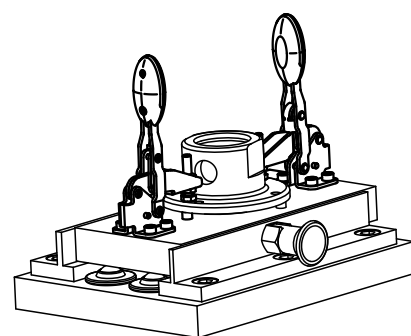


Toggle clamps vertical

with flat foot and adjustable clamping spindle



RAL 7021 $\Delta = 0$ RAL 5002 $\Delta = 1$ RAL 3020 $\Delta = 3$



KIPP Toggle clamps vertical with flat foot and adjustable clamping spindle

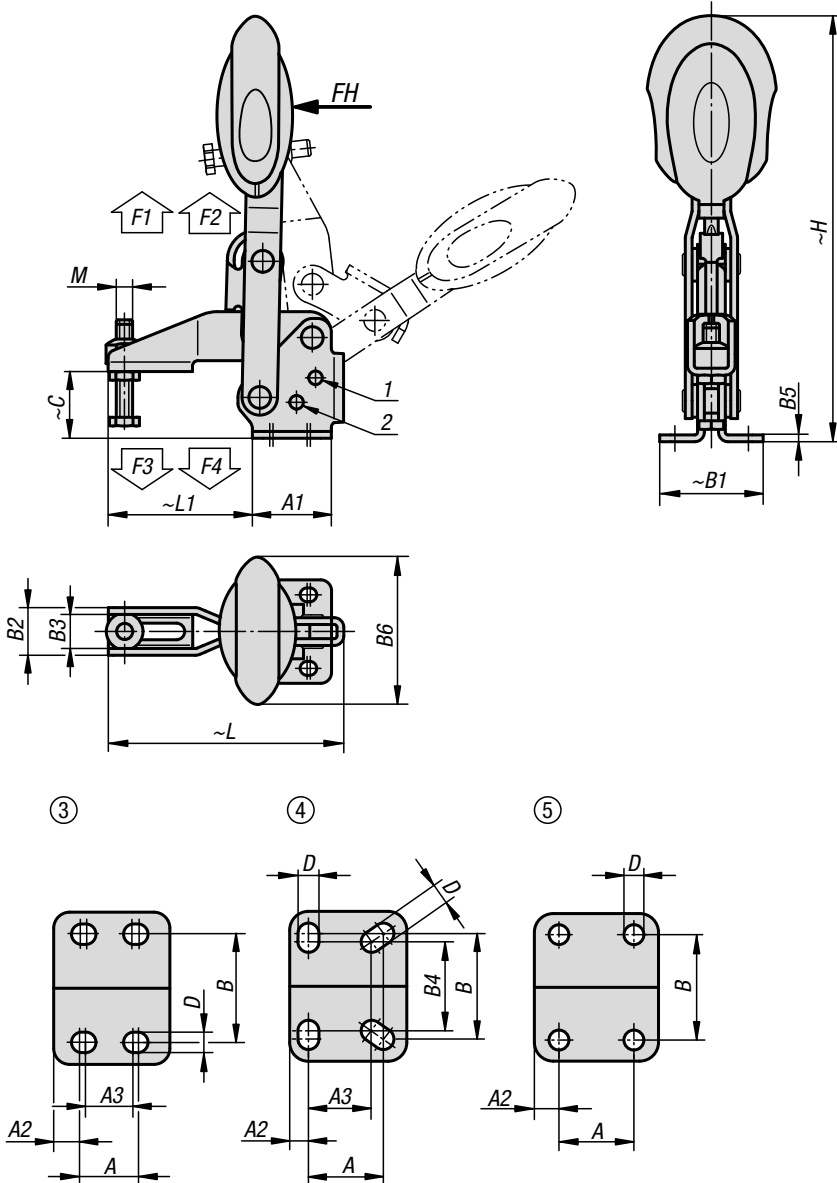
Order No.	Opening angle holding arm position 1	Opening angle holding arm position 2	Opening angle holding arm stop pin removed	Opening angle handle position 1	Opening angle handle position 2	Opening angle handle stop pin removed
K0662.00500Δ	100°	-	147°	64°	-	83°
K0662.00600Δ	56°	83°	152°	46°	56°	83°
K0662.00800Δ	13°	93°	158°	26°	61°	86°
K0662.01000Δ	6°	97°	176°	19°	59°	91°
K0662.01200Δ	11°	88°	164°	24°	60°	91°

Order No.	Hand force FH N	Retaining force F1 N	Retaining force F2 N	Clamping force F3 N	Clamping force F4 N	Order No. Angle bracket
K0662.00500Δ	100	750	1050	620	750	K0098.02
K0662.00600Δ	160	1350	1650	920	1050	K0098.02
K0662.00800Δ	190	2000	2800	940	1350	K0098.04
K0662.01000Δ	250	2500	4500	1500	2800	K0098.06
K0662.01200Δ	280	3000	5500	1400	2800	K0098.06

Order No.	hole arrangement	M	A	A1	A2	A3	B	B1	B2	B3	B4	B5	B6	C	D	H	L	L1
K0662.00500Δ	2	M5x25	16	25	4,5	14	24	33	13,2	9,2	22	2	22,5	18	4,5	107,4	65,6	35
K0662.00600Δ	3	M6x35	14	29	7	12	27	38	17,5	12,5	-	2,5	43,5	24,9	5,5	156,3	86,5	53
K0662.00800Δ	3	M8x45	21	39	9	19	32	45	20,6	15,6	-	2,5	41,5	32,7	6,8	184,2	107	62
K0662.01000Δ	4	M10x55	32	50	8	27	45	64	25,5	18,5	38	3,5	47	38,7	9	223,9	153	95
K0662.01200Δ	5	M12x70	32	53	10,5	-	45	63	28	21	-	3,5	47	46,7	8,8	242,4	173,5	113,5

Toggle clamps vertical with safety interlock

with flat foot and adjustable clamping spindle



Material:

Steel.
Grip polyamide.
Unlocking bracket TPE.

Version:

Carbonitrided and black oxidised.
Grip blue, black or red.

Sample order:

K0662.006101
(blue grip)

Note for ordering:

Δ Enter the desired grip colour here.

Note:

Maintenance-free high quality link bushings.
Sustainable constant force during opening and closing.
Optimum stability through the conical, U-profile clamping arm. Including internal bar lock with automatic safety catch.

On request:

Other grip colours.

Accessories:

- K0106
- K0098
- K0383
- K0388
- K0390
- K0391
- K0392
- K0393

Drawing reference:

- 1) stop pin position 1
- 2) stop pin position 2

Toggle clamps vertical with safety interlock

with flat foot and adjustable clamping spindle



RAL 7021 $\Delta = 0$ RAL 5002 $\Delta = 1$ RAL 3020 $\Delta = 3$

KIPP Toggle clamps vertical with safety interlock with flat foot and adjustable clamping spindle

Order No.	Opening angle holding arm position 1	Opening angle holding arm position 2	Opening angle holding arm stop pin removed	Opening angle handle position 1	Opening angle handle position 2	Opening angle handle stop pin removed
K0662.00610Δ	56°	83°	152°	46°	56°	83°
K0662.00810Δ	13°	93°	158°	26°	61°	86°
K0662.01010Δ	6°	97°	176°	19°	59°	91°
K0662.01210Δ	11°	88°	164°	24°	60°	91°

Order No.	Hand force FH N	Retaining force F1 N	Retaining force F2 N	Clamping force F3 N	Clamping force F4 N	Order No. Angle bracket
K0662.00610Δ	160	1350	1650	920	1050	K0098.02
K0662.00810Δ	190	2000	2800	940	1350	K0098.04
K0662.01010Δ	250	2500	4500	1500	2800	K0098.06
K0662.01210Δ	280	3000	5500	1400	2800	K0098.06

Order No.	hole arrangement	M	A	A1	A2	A3	B	B1	B2	B3	B4	B5	B6	C	D	H	L	L1
K0662.00610Δ	3	M6x35	14	29	7	12	27	38	17,5	12,5	-	2,5	53,4	24,9	5,5	163	86,5	53
K0662.00810Δ	3	M8x45	21	39	9	19	32	45	20,6	15,6	-	2,5	51,1	32,7	6,8	191,4	107	62
K0662.01010Δ	4	M10x55	32	50	8	27	45	64	25,5	18,5	38	3,5	56,5	38,7	9	230,5	153	95
K0662.01210Δ	5	M12x70	32	53	10,5	-	45	63	28	21	-	3,5	56,5	46,7	8,8	249,1	173,5	113,5

Toggle clamps vertical

with flat foot and adjustable clamping spindle, stainless steel



Material:
Stainless steel.
Grip polyamide.

Version:
Bright.
Grip blue, black or red.

Sample order:
K0662.105001
(blue grip)

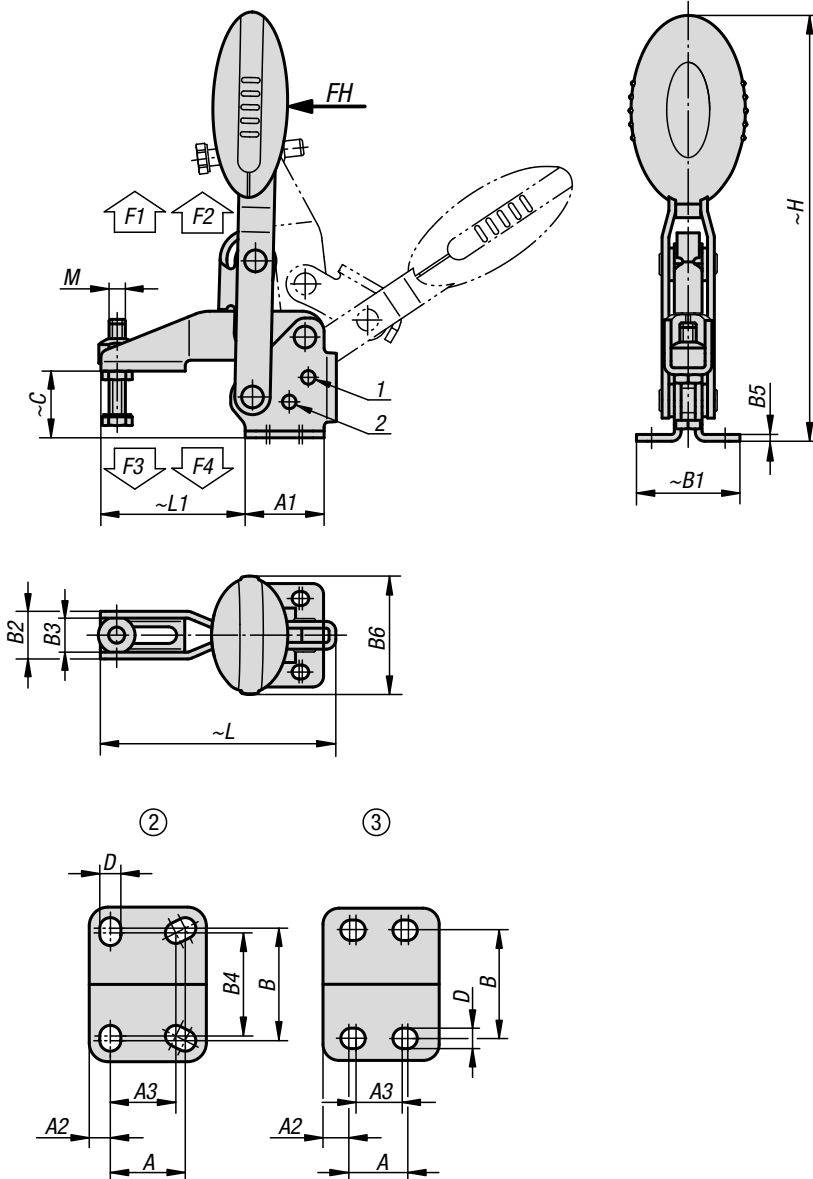
Note for ordering:
Δ Enter the desired grip colour here.

Note:
Maintenance-free high quality link bushings.
Sustainable constant use of force during opening and closing. Optimum stability through the conical, U-profile clamping arm.

On request:
Other grip colours.

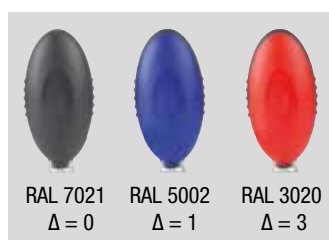
Accessories:
K0106
K0384
K0390
K0392
K0667

Drawing reference:
1) stop pin position 1
2) stop pin position 2

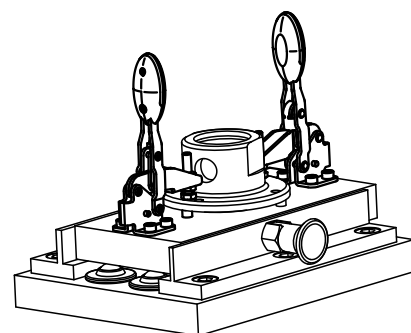


Toggle clamps vertical

with flat foot and adjustable clamping spindle, stainless steel



RAL 7021 $\Delta = 0$ RAL 5002 $\Delta = 1$ RAL 3020 $\Delta = 3$



KIPP Toggle clamps vertical with flat foot and adjustable clamping spindle, stainless steel

Order No.	Opening angle holding arm position 1	Opening angle holding arm position 2	Opening angle holding arm stop pin removed	Opening angle handle position 1	Opening angle handle position 2	Opening angle handle stop pin removed
K0662.10500Δ	100°	-	147°	64°	-	83°
K0662.10600Δ	56°	83°	152°	46°	56°	83°
K0662.10800Δ	13°	93°	158°	26°	61°	86°

Order No.	Hand force FH N	Retaining force F1 N	Retaining force F2 N	Clamping force F3 N	Clamping force F4 N
K0662.10500Δ	100	750	1050	620	750
K0662.10600Δ	160	1350	1650	920	1050
K0662.10800Δ	190	2000	2800	940	1350

Order No.	hole arrangement	M	A	A1	A2	A3	B	B1	B2	B3	B4	B5	B6	C	D	H	L	L1
K0662.10500Δ	2	M5x25	16	25	4,5	14	24	33	13,2	9,2	22	2	22,5	18	4,5	107,4	65,6	35
K0662.10600Δ	3	M6x35	14	29	7	12	27	38	17,5	12,5	-	2,5	43,5	24,9	5,5	156,3	86,5	53
K0662.10800Δ	3	M8x45	21	39	9	19	32	45	20,6	15,6	-	2,5	41,5	32,7	6,8	184,2	107	62

Toggle clamps vertical with safety interlock

with flat foot and adjustable clamping spindle, stainless steel



Material:

Stainless steel.
Grip polyamide.
Unlocking bracket TPE.

Version:

Bright.
Grip blue, black or red.

Sample order:

K0662.106101
(blue grip)

Note for ordering:

Δ Enter the desired grip colour here.

Note:

Maintenance-free high quality link bushings.
Sustainable constant force during opening and closing.
Optimum stability through the conical, U-profile clamping arm. Including internal bar lock with automatic safety catch.

On request:

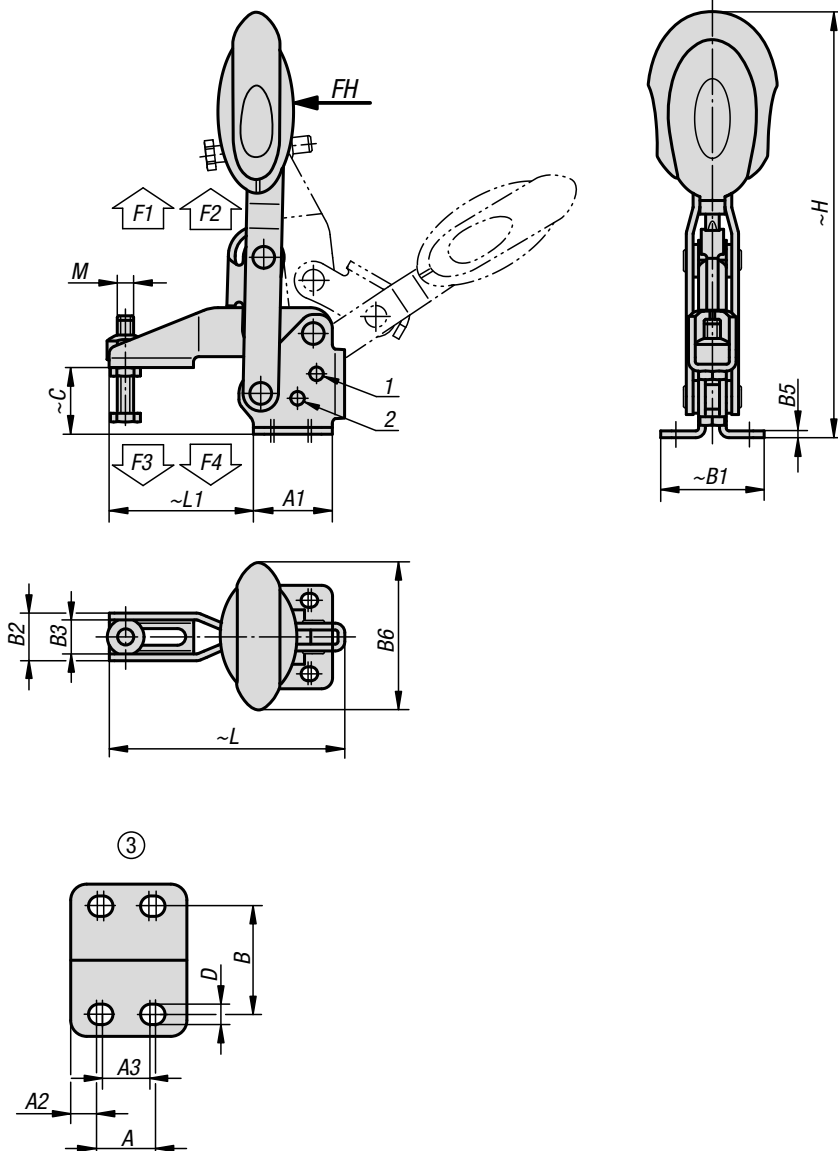
Other grip colours.

Accessories:

K0106
K0384
K0390
K0392
K0667

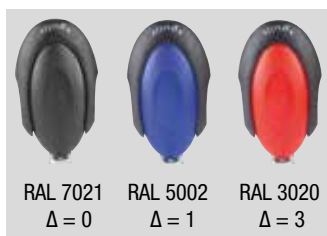
Drawing reference:

1) stop pin position 1
2) stop pin position 2



Toggle clamps vertical with safety interlock

with flat foot and adjustable clamping spindle, stainless steel



RAL 7021 $\Delta = 0$ RAL 5002 $\Delta = 1$ RAL 3020 $\Delta = 3$

KIPP Toggle clamps, vertical with safety interlock, with flat foot and adjustable clamping spindle, stainless steel

Order No.	Opening angle holding arm position 1	Opening angle holding arm position 2	Opening angle holding arm stop pin removed	Opening angle handle position 1	Opening angle handle position 2	Opening angle handle stop pin removed
K0662.10610Δ	56°	83°	152°	46°	56°	83°
K0662.10810Δ	13°	93°	158°	26°	61°	86°

Order No.	Hand force FH N	Retaining force F1 N	Retaining force F2 N	Clamping force F3 N	Clamping force F4 N
K0662.10610Δ	160	1350	1650	920	1050
K0662.10810Δ	190	2000	2800	940	1350

Order No.	hole arrangement	M	A	A1	A2	A3	B	B1	B2	B3	B5	B6	C	D	H	L	L1
K0662.10610Δ	3	M6x35	14	29	7	12	27	38	17,5	12,5	2,5	53,4	24,9	5,5	163	86,5	53
K0662.10810Δ	3	M8x45	21	39	9	19	32	45	20,6	15,6	2,5	51,1	32,7	6,8	191,4	107	62

Vertical antistatic toggle clamps

with horizontal foot and adjustable thrust spindle



Material:

Steel.
Grip polyamide.

Version:

Nitro-carburised and black oxidised.
Grip element graphite black.

Sample order:

K0662.005024

Note:

Maintenance-free high quality link bushes.
Sustainable constant force during opening and closing.
Optimum stability through the conical, U-profile clamping arm.

Application:

Sensitive electrical or electronic equipment, components and devices (ESD sensitive elements) may be damaged or destroyed by electrostatic discharges (ESD) in the immediate vicinity.
Electrostatic discharges can come from people or through handling ESD sensitive components (e.g. during production, assembly, transport, storage etc).
Electrically conductive products which conform to DIN EN 61340-5-1 are essential within electronic environments to prevent an electrostatic discharge.
These products can be used for ESD applications or in ESD protection areas (EPA) in accordance with DIN EN 61340-5-1.

Advantages:

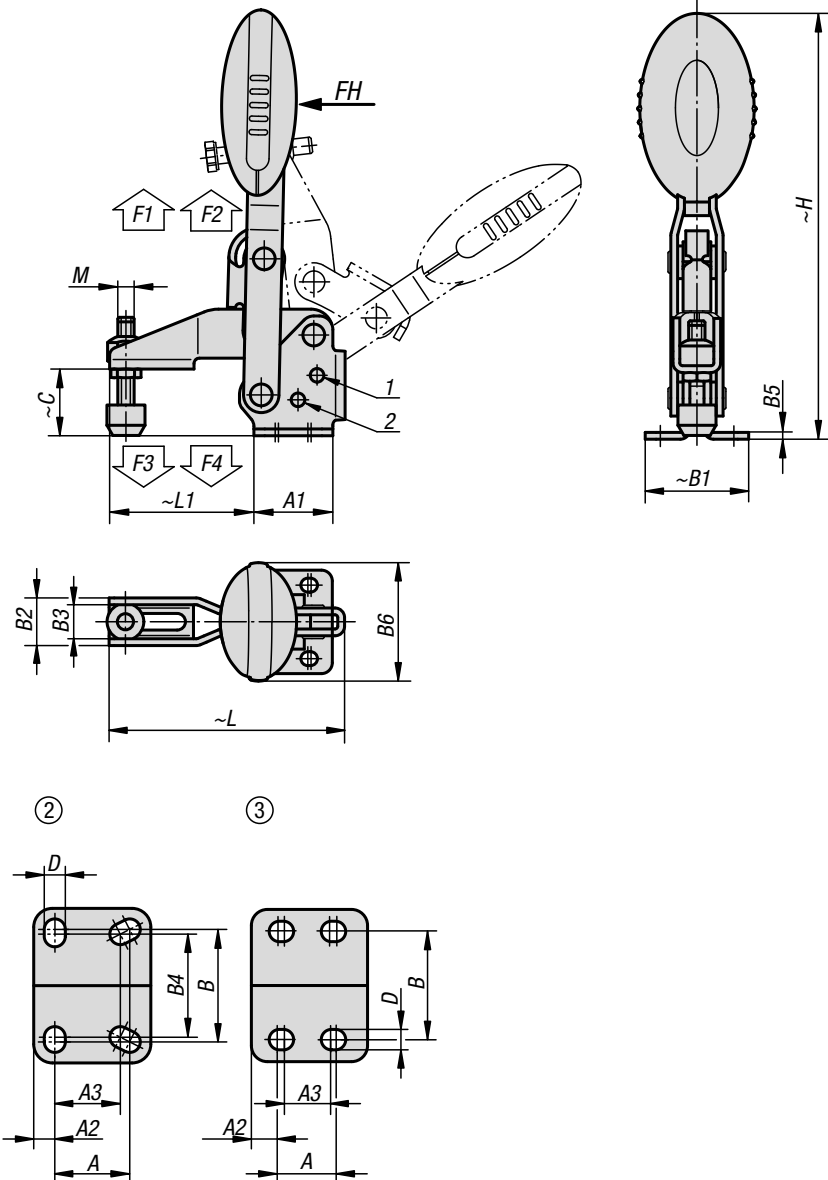
- Made from a special electrically conductive plastic
- To protect sensitive electrical or electronic parts, components and devices
- Toggle clamps and power clamps are used in assembly and workholding fixtures
- Ergonomic and user-friendly grip

Accessories:

K0098

Safety:

These ESD products can also be used for devices, components and protection systems in areas where there is risk of explosion.
These ESD products prevent electrostatic spark discharges, and eliminate the risk of ignition of gases and dust which could lead to explosions in enclosed spaces.
Manufacturers and operators must apply and comply with the ATEX directives for protecting persons working in areas where there is a risk of explosion.
These ESD products have been certified by TÜV-Süd for their electrical discharge capability.



Vertical antistatic toggle clamps

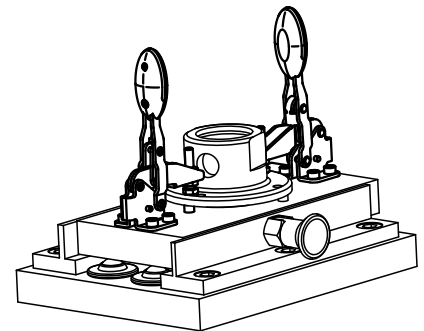
with horizontal foot and adjustable thrust spindle



Target groups:

Device manufacturers required to conform to ATEX product directive 2014/34/EU.

Operators required to conform to ATEX worker protection directive 1999/92/EC.



KIPP Vertical antistatic toggle clamps with horizontal foot

Order No.	Opening angle holding arm position 1	Opening angle holding arm position 2	Opening angle holding arm stop pin removed	Opening angle handle position 1	Opening angle handle position 2	Opening angle handle stop pin removed
K0662.005024	100°	-	147°	64°	-	83°
K0662.006024	56°	83°	152°	46°	56°	83°
K0662.008024	13°	93°	158°	26°	61°	86°

Order No.	Hand force FH N	Retaining force F1 N	Retaining force F2 N	Clamping force F3 N	Clamping force F4 N	Order No. Angle bracket
K0662.005024	100	750	1050	620	750	K0098.02
K0662.006024	160	1350	1650	920	1050	K0098.04
K0662.008024	190	2000	2800	940	1350	K0098.04

Order No.	hole arrangement	M	A	A1	A2	A3	B	B1	B2	B3	B4	B5	B6	C	D	H	L	L1
K0662.005024	2	M5x25	16	25	4,5	14	24	33	13,2	9,2	22	2	22,5	18	4,5	107,4	65,6	35
K0662.006024	3	M6x35	14	29	7	12	27	38	17,5	12,5	-	2,5	43,5	24,9	5,5	156,3	86,5	53
K0662.008024	3	M8x45	21	39	9	19	32	45	20,6	15,6	-	2,5	41,5	32,7	6,8	184,2	107	62