

Toggle clamps horizontal

with flat foot and adjustable clamping spindle



Material:

Steel.
Grip polyamide.

Version:

Carbonitrided and black oxidised.
Grip blue, black or red.

Sample order:

K0660.005001
(blue grip)

Note for ordering:

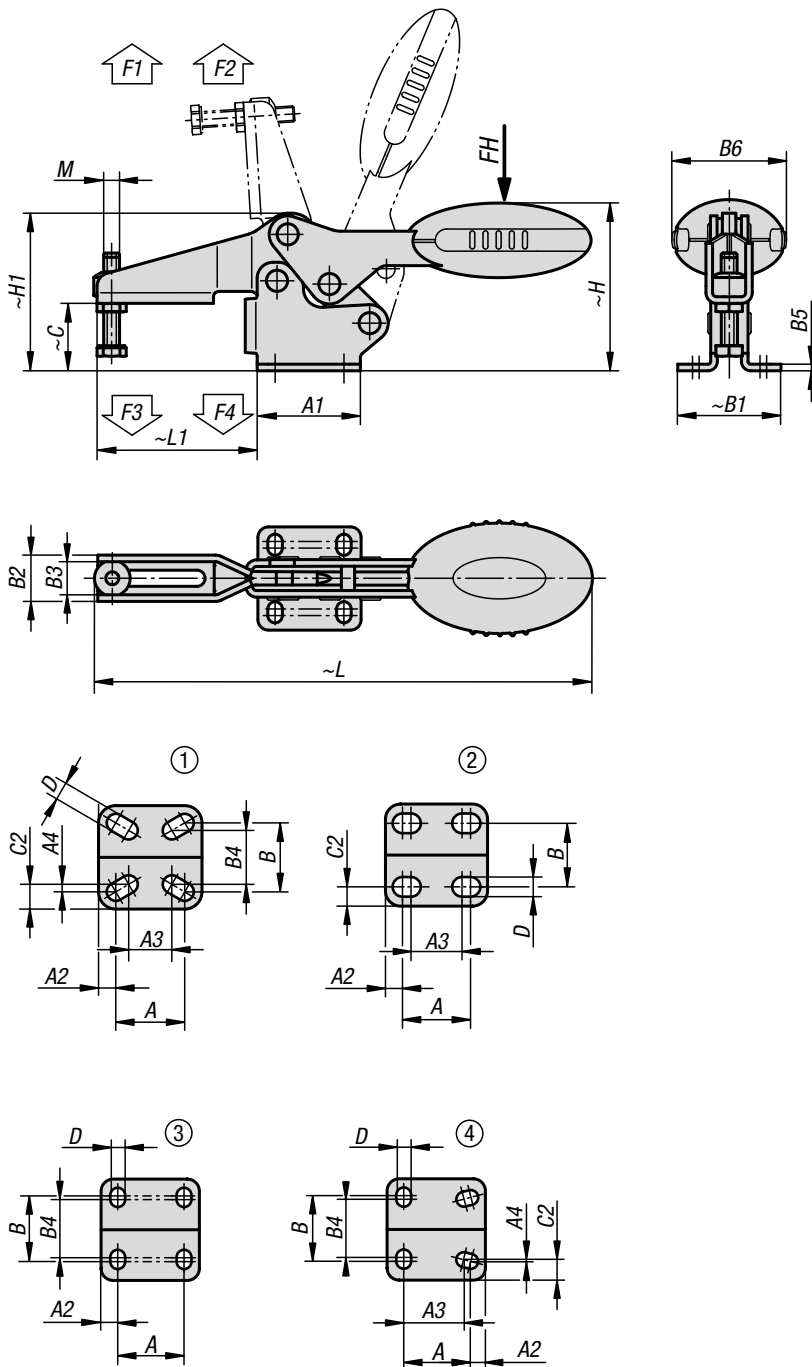
Δ Enter the desired grip colour here.

Note:

Maintenance-free high quality link bushings.
Sustainable constant use of force during opening and closing. Optimum stability through the conical, U-profile clamping arm.

Accessories:

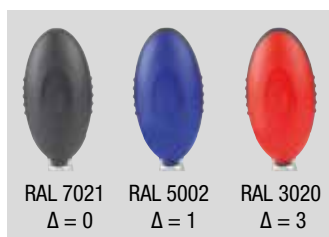
- K0106
- K0098
- K0383
- K0388
- K0390
- K0391
- K0392
- K0393



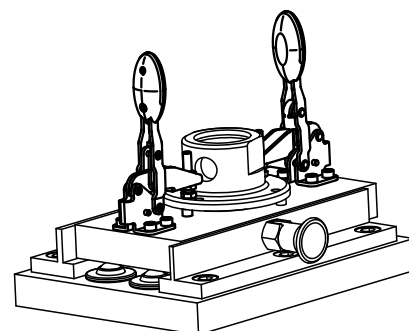
Angle bracket for front face mounting (see accessories)

Toggle clamps horizontal

with flat foot and adjustable clamping spindle



RAL 7021 $\Delta = 0$ RAL 5002 $\Delta = 1$ RAL 3020 $\Delta = 3$



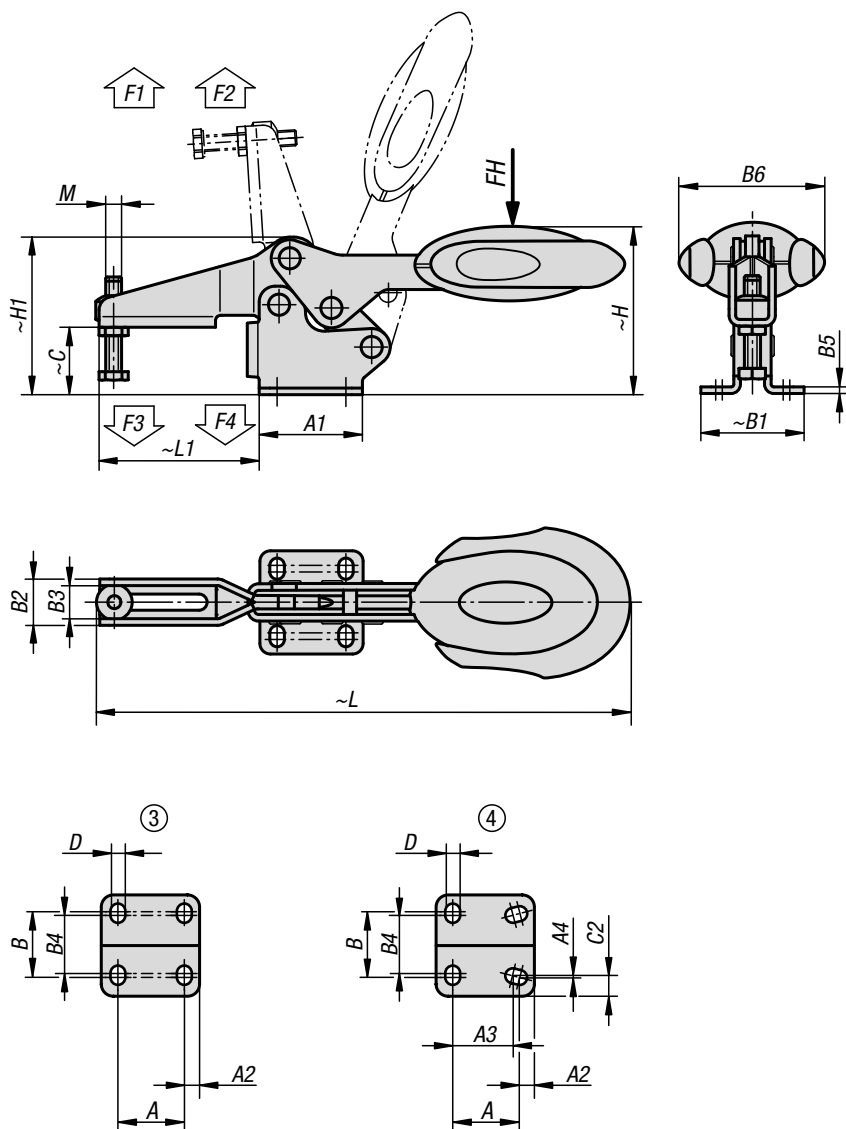
KIPP Toggle clamps horizontal with flat foot and adjustable clamping spindle

Order No.	hole arrangement	Opening angle of holding arm	Opening angle of handle	Hand force FH N	Retaining force F1 N	Retaining force F2 N	Clamping force F3 N	Clamping force F4 N	Order No. Angle bracket
K0660.00400Δ	1	87°	69°	80	400	500	250	300	K0098.02
K0660.00500Δ	2	86°	67°	100	650	900	550	620	K0098.02
K0660.00600Δ	3	86°	67°	160	1350	1900	720	1200	K0098.04
K0660.00800Δ	3	86°	67°	200	2000	2800	830	1400	K0098.04
K0660.01000Δ	3	90°	71°	250	2200	4500	1200	2800	K0098.06
K0660.01200Δ	4	88°	68°	280	2400	5500	1000	2800	K0098.06

Order No.	M	A	A1	A2	A3	A4	B	B1	B2	B3	B4	B5	B6	C	C2	D	H	H1	L	L1
K0660.00400Δ	M4x16	16	24	4	12,8	0,95	16	24	10,2	7,2	14,1	1,5	20	11,7	4,95	4,2	28,7	26,3	91,8	23,7
K0660.00500Δ	M5x25	18	27	4,5	13,5	-	16,8	27,3	13,2	9,2	-	2	22,5	17,2	5,25	5,5	43,4	38,9	125,7	41,8
K0660.00600Δ	M6x35	26	39	6,5	-	-	28	39	17,5	12,5	23	2,5	43,5	25,4	-	5,5	63,7	59,6	186,6	60,5
K0660.00800Δ	M8x45	26	44	9	-	-	31	45	21	16	24	2,5	41,5	32,2	-	6,2	73,9	70,1	223,1	74,9
K0660.01000Δ	M10x55	41,5	59	9	-	-	43	59	26	19	39	3,5	47	40	-	8,8	94,8	88	279,4	103,9
K0660.01200Δ	M12x70	44	65	10	40	1	42	67	28	21	40	3,5	47	52,3	13,5	8,5	104,8	101,6	314,7	122

Toggle clamps horizontal with safety interlock

with flat foot and adjustable clamping spindle



Material:

Steel.
Grip polyamide.
Unlocking bracket TPE.

Version:

Carbonitrided and black oxidised.
Grip blue, black or red.

Sample order:

K0660.006101
(blue grip)

Note for ordering:

Δ Enter the desired grip colour here.

Note:

Maintenance-free high quality link bushings.
Sustainable constant force during opening and closing.
Optimum stability through the conical, U-profile clamping arm. Including internal bar lock with automatic safety catch.

Accessories:

- K0106
- K0098
- K0383
- K0388
- K0390
- K0391
- K0392
- K0393

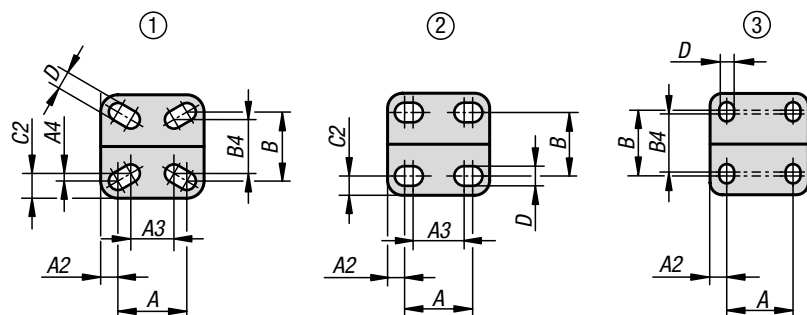
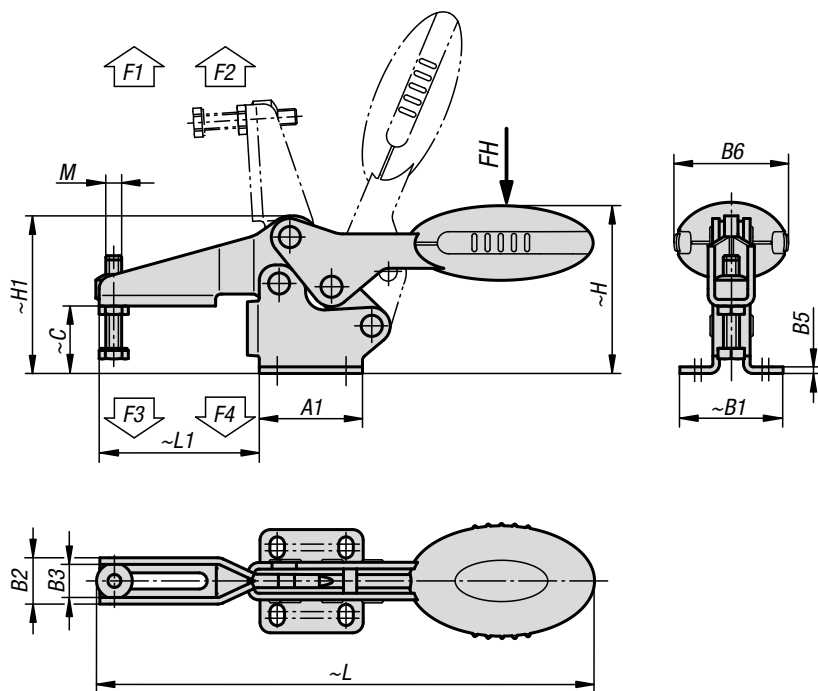
KIPP Toggle clamps horizontal with safety interlock, with flat foot and adjustable clamping spindle

Order No.	hole arrangement	Opening angle of holding arm	Opening angle of handle	Hand force FH N	Retaining force F1 N	Retaining force F2 N	Clamping force F3 N	Clamping force F4 N	Order No. Angle bracket
K0660.00610Δ	3	86°	67°	160	1350	1900	720	1200	K0098.04
K0660.00810Δ	3	86°	67°	200	2000	2800	830	1400	K0098.04
K0660.01010Δ	3	90°	71°	250	2200	4500	1200	2800	K0098.06
K0660.01210Δ	4	88°	68°	280	2400	5500	1000	2800	K0098.06

Order No.	M	A	A1	A2	A3	A4	B	B1	B2	B3	B4	B5	B6	C	C2	D	H	H1	L	L1
K0660.00610Δ	M6x35	26	39	6,5	-	-	28	39	17,5	12,5	23	2,5	53,4	25,4	-	5,5	63,7	59,6	193,3	60,5
K0660.00810Δ	M8x45	26	44	9	-	-	31	45	21	16	24	2,5	51,1	32,2	-	6,2	73,9	70,1	230,4	74,9
K0660.01010Δ	M10x55	41,5	59	8,5	-	-	43	59	26	19	39	3,5	56,5	40	-	8,8	94,8	88	286	103,9
K0660.01210Δ	M12x70	44	65	10	40	1	42	67	28	21	40	3,5	56,5	52,3	13,5	8,5	104,8	101,6	321,3	122

Toggle clamps horizontal

with flat foot and adjustable clamping spindle, stainless steel



Material:
Stainless steel.
Grip polyamide.

Version:
Bright.
Grip blue, black or red.

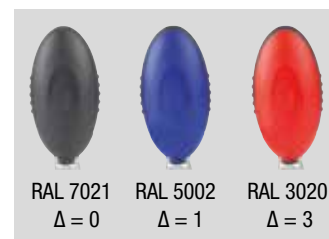
Sample order:
K0660.105001
(blue grip)

Note for ordering:
Δ Enter the desired grip colour here.

Note:
Maintenance-free high quality link bushings.
Sustainable constant use of force during opening and closing. Optimum stability through the conical, U-profile clamping arm.

On request:
Other grip colours.

Accessories:
K0106
K0384
K0390
K0392
K0667



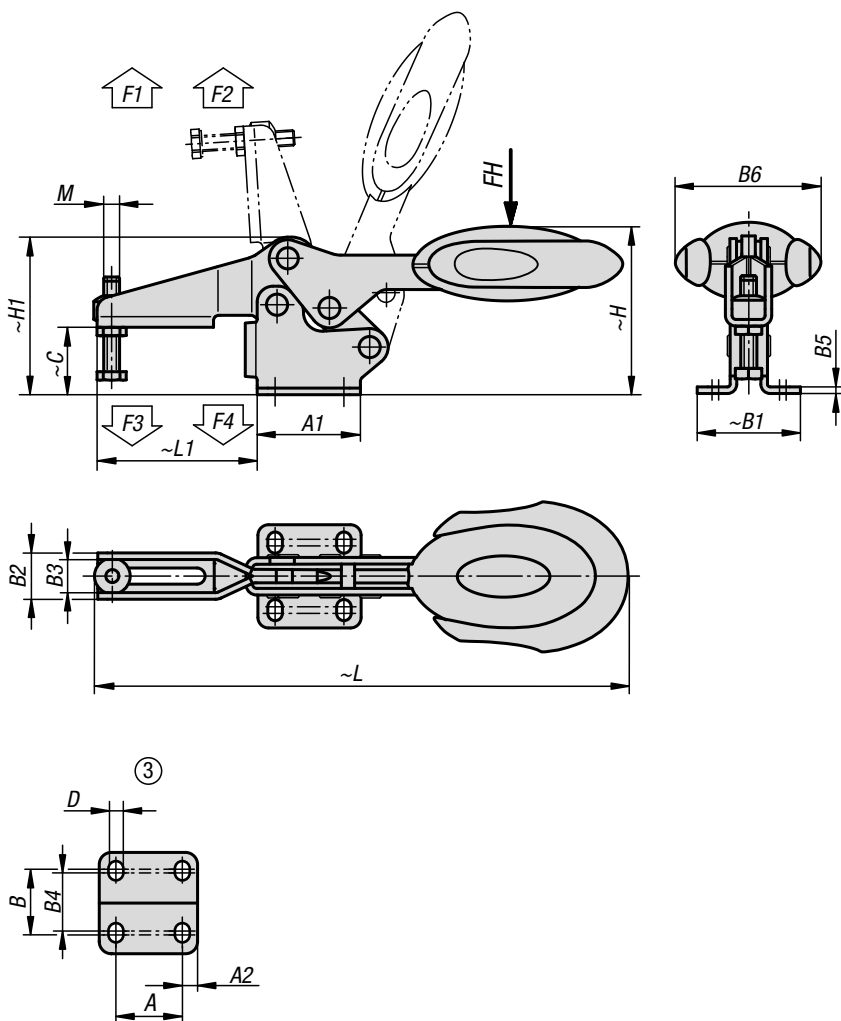
KIPP Toggle clamps horizontal with flat foot, stainless steel

Order No.	hole arrangement	Opening angle of holding arm	Opening angle of handle	Hand force FH N	Retaining force F1 N	Retaining force F2 N	Clamping force F3 N	Clamping force F4 N
K0660.10400Δ	1	87°	69°	80	400	500	250	300
K0660.10500Δ	2	86°	67°	100	650	900	550	620
K0660.10600Δ	3	86°	67°	160	1350	1900	720	1200
K0660.10800Δ	3	86°	67°	200	2000	2800	830	1400

Order No.	M	A	A1	A2	A3	A4	B	B1	B2	B3	B4	B5	B6	C	C2	D	H	H1	L	L1
K0660.10400Δ	M4x16	16	24	4	12,8	0,95	16	24	10,2	7,2	12,5	1,5	20	11,7	4,95	4,2	28,7	26,3	91,8	23,7
K0660.10500Δ	M5x25	18	27	4,5	13,5	-	16,8	27,3	13,2	9,2	-	2	22,5	17,2	5,25	5,5	43,4	38,9	125,7	41,8
K0660.10600Δ	M6x35	26	39	6,5	-	-	28	39	17,5	12,5	23	2,5	43,5	25,4	-	5,5	63,7	59,6	186,6	60,5
K0660.10800Δ	M8x45	26	44	9	-	-	31	45	21	16	24	2,5	41,5	32,2	-	6,2	73,9	70,1	223,1	74,9

Toggle clamps horizontal with safety interlock

with flat foot and adjustable clamping spindle, stainless steel



Material:

Stainless steel.
Grip polyamide.
Unlocking bracket TPE.

Version:

Bright.
Grip blue, black or red.

Sample order:

K0660.106101
(blue grip)

Note for ordering:

Δ Enter the desired grip colour here.

Note:

Maintenance-free high quality link bushings.
Sustainable constant force during opening and closing.
Optimum stability through the conical, U-profile clamping arm. Including internal bar lock with automatic safety catch.

On request:

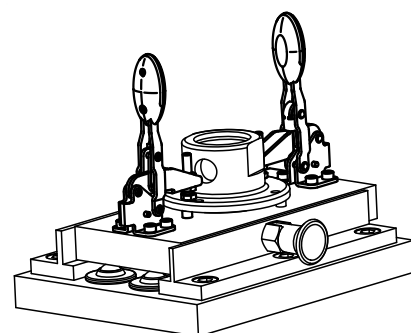
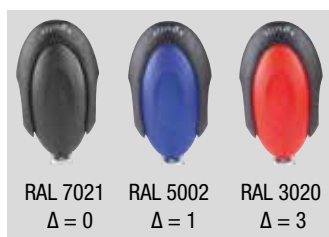
Other grip colours.

Accessories:

- K0106
- K0384
- K0390
- K0392
- K0667

Toggle clamps horizontal with safety interlock

with flat foot and adjustable clamping spindle, stainless steel



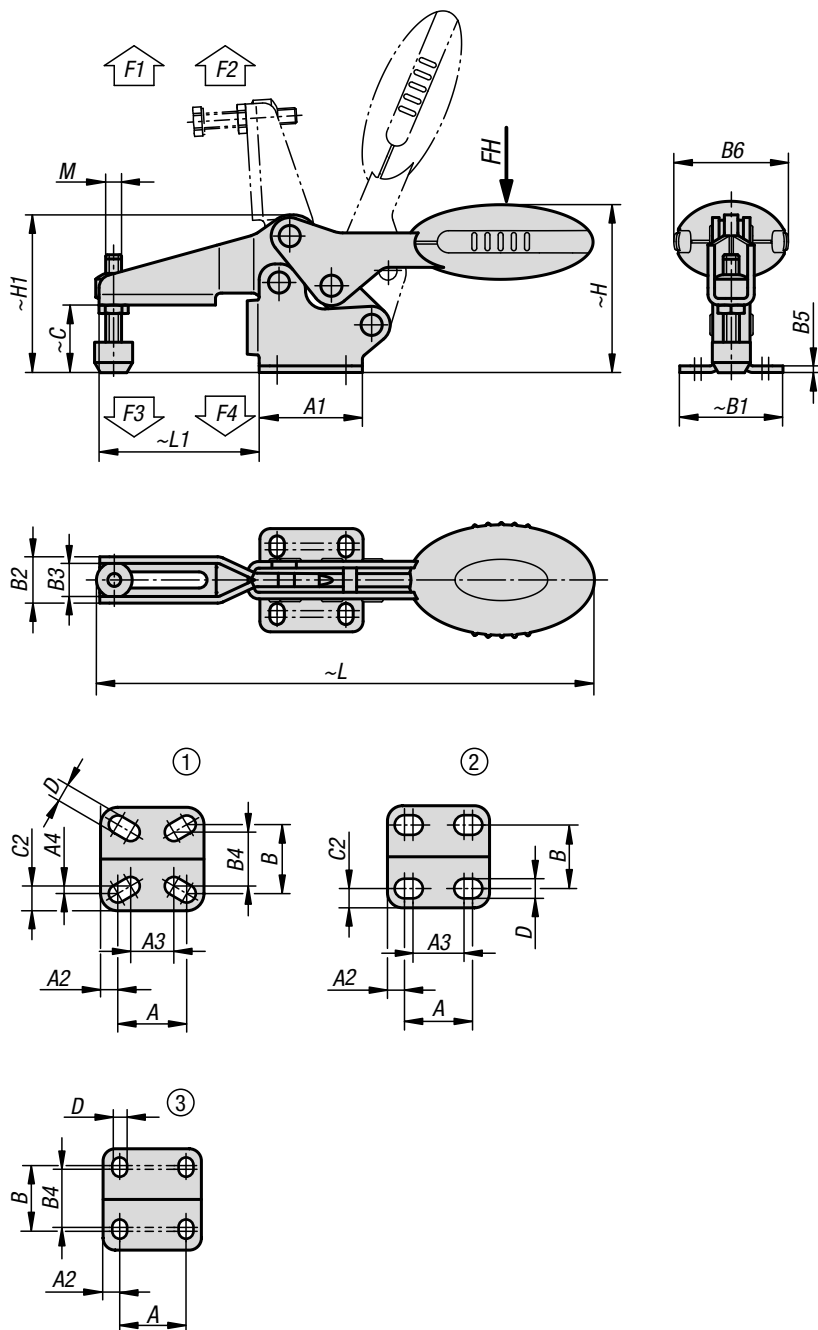
KIPP Toggle clamps horizontal with flat foot and safety interlock, stainless steel

Order No.	hole arrangement	Opening angle of holding arm	Opening angle of handle	Hand force FH N	Retaining force F1 N	Retaining force F2 N	Clamping force F3 N	Clamping force F4 N
K0660.10610Δ	3	86°	67°	160	1350	1900	720	1200
K0660.10810Δ	3	86°	67°	200	2000	2800	830	1400

Order No.	M	A	A1	A2	B	B1	B2	B3	B4	B5	B6	C	D	H	H1	L	L1
K0660.10610Δ	M6x35	26	39	6,5	28	39	17,5	12,5	23	2,5	53,4	25,4	5,5	63,7	59,6	193,3	60,5
K0660.10810Δ	M8x45	26	44	9	31	45	21	16	24	2,5	51,1	32,2	6,2	73,9	70,1	230,4	74,9

Horizontal antistatic toggle clamps

with flat foot and adjustable clamping spindle



Material:

Steel.
Grip polyamide.

Version:

Nitro-carburised and black oxidised.
Grip element graphite black.

Sample order:

K0660.004024

Note:

Maintenance-free high quality link bushes.
Sustainable constant force during opening and closing.
Optimum stability through the conical, U-profile clamping arm.

Application:

Sensitive electrical or electronic equipment, components and devices (ESD sensitive elements) may be damaged or destroyed by electrostatic discharges (ESD) in the immediate vicinity.
Electrostatic discharges can come from people or through handling ESD sensitive components (e.g. during production, assembly, transport, storage etc).
Electrically conductive products which conform to DIN EN 61340-5-1 are essential within electronic environments to prevent an electrostatic discharge.
These products can be used for ESD applications or in ESD protection areas (EPA) in accordance with DIN EN 61340-5-1.

Advantages:

- Made from a special electrically conductive plastic
- To protect sensitive electrical or electronic parts, components and devices
- Toggle clamps and power clamps are used in assembly and workholding fixtures
- Ergonomic and user-friendly grip

Accessories:

K0098

Horizontal antistatic toggle clamps

with flat foot and adjustable clamping spindle



Safety:

These ESD products can also be used for devices, components and protection systems in areas where there is risk of explosion.

These ESD products prevent electrostatic spark discharges, and eliminate the risk of ignition of gases and dust which could lead to explosions in enclosed spaces.

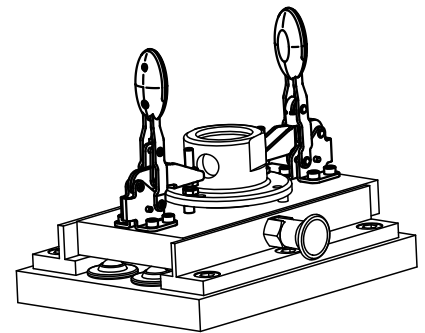
Manufacturers and operators must apply and comply with the ATEX directives for protecting persons working in areas where there is a risk of explosion.

These ESD products have been certified by TÜV-Süd for their electrical discharge capability.

Target groups:

Device manufacturers required to conform to ATEX product directive 2014/34/EU.

Operators required to conform to ATEX worker protection directive 1999/92/EC.



KIPP Horizontal antistatic toggle clamps with horizontal foot

Order No.	Opening angle of holding arm	Opening angle of handle	Hand force FH N	Retaining force F1 N	Retaining force F2 N	Clamping force F3 N	Clamping force F4 N	Order No. Angle bracket
K0660.004024	87°	69°	80	400	500	250	300	K0098.02
K0660.005024	86°	67°	100	650	900	550	620	K0098.02
K0660.006024	86°	67°	160	1350	1900	720	1200	K0098.04
K0660.008024	86°	67°	200	2000	2800	830	1400	K0098.04

Order No.	hole arrangement	M	A	A1	A2	A3	A4	B	B1	B2	B3	B4	B5	B6	C	C2	D	H	H1	L	L1
K0660.004024	1	M4x16	16	24	4	12,8	0,95	16	24	10,2	7,2	14,1	1,5	20	11,7	4,95	4,2	28,7	26,3	91,8	23,7
K0660.005024	2	M5x25	18	27	4,5	13,5	-	16,8	27,3	13,2	9,2	-	2	22,5	17,2	5,25	5,5	43,4	38,9	125,7	41,8
K0660.006024	3	M6x35	26	39	6,5	-	-	28	39	17,5	12,5	23	2,5	43,5	25,4	-	5,5	63,7	59,6	186,6	60,5
K0660.008024	3	M8x45	26	44	9	-	-	31	45	21	16	24	2,5	41,5	32,2	-	6,2	73,9	70,1	223,1	74,9