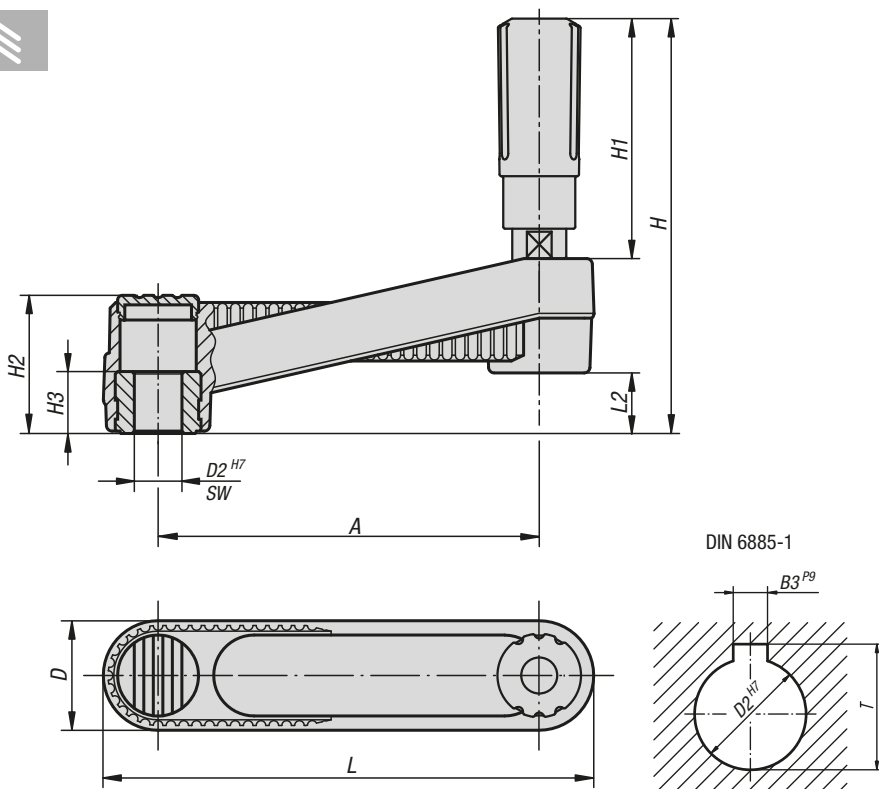


## Crank handles

with revolving grip



**Material:**  
Black grey thermoplastic.

**Version:**  
Steel parts black oxidised.

**Sample order:**  
K0659.3108

**Note:**  
The hub cap and the revolving grip are supplied loose. To assemble the handle simply screw the grip into the existing hole.  
The crank handles can be secured to a shaft by using a transverse pin or by parallel key connection together with a DIN 6912 cap screw and a DIN 7349 washer.



### KIPP Crank handles with revolving grip

Order No.	Version 1	Version 2	A	D	D2	H	H1	H2	H3	L	L2
K0659.3108	reamed hole	without transverse hole	80	24	8	85,8	49,1	28,5	13	104	12,7
K0659.3110	reamed hole	without transverse hole	80	24	10	85,8	49,1	28,5	13	104	12,7
K0659.3210	reamed hole	without transverse hole	100	29	10	107,1	61,4	35,5	13	129	15,7
K0659.3212	reamed hole	without transverse hole	100	29	12	107,1	61,4	35,5	13	129	15,7
K0659.3312	reamed hole	without transverse hole	125	36	12	139,5	82,5	44	18,5	161	19,5
K0659.3314	reamed hole	without transverse hole	125	36	14	139,5	82,5	44	18,5	161	19,5

Order No.	Version 1	Version 2	A	B3	D	D2	H	H1	H2	H3	L	L2	T
K0659.310802	reamed hole with slot	without transverse hole	80	2	24	8	85,8	49,1	28,5	13	104	12,7	9
K0659.311003	reamed hole with slot	without transverse hole	80	3	24	10	85,8	49,1	28,5	13	104	12,7	11,4
K0659.321003	reamed hole with slot	without transverse hole	100	3	29	10	107,1	61,4	35,5	13	129	15,7	11,4
K0659.321204	reamed hole with slot	without transverse hole	100	4	29	12	107,1	61,4	35,5	13	129	15,7	13,8
K0659.331204	reamed hole with slot	without transverse hole	125	4	36	12	139,5	82,5	44	18,5	161	19,5	13,8
K0659.331405	reamed hole with slot	without transverse hole	125	5	36	14	139,5	82,5	44	18,5	161	19,5	16,3

Order No.	Version 1	Version 2	A	D	H	H1	H2	H3	L	L2	SW
K0659.4108	square socket	without transverse hole	80	24	85,8	49,1	28,5	13	104	12,7	8
K0659.4110	square socket	without transverse hole	80	24	85,8	49,1	28,5	13	104	12,7	10
K0659.4210	square socket	without transverse hole	100	29	107,1	61,4	35,5	13	129	15,7	10
K0659.4212	square socket	without transverse hole	100	29	107,1	61,4	35,5	13	129	15,7	12
K0659.4312	square socket	without transverse hole	125	36	139,5	82,5	44	18,5	161	19,5	12
K0659.4314	square socket	without transverse hole	125	36	139,5	82,5	44	18,5	161	19,5	14