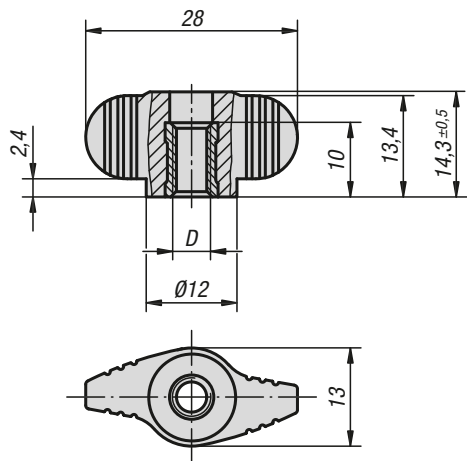


Wing grips "Miniwing"

tapped through



Material:

Grip thermoplastic.
 Bush steel 5.8 or stainless steel 1.4305.

Version:

Grip black grey.
 Steel trivalent blue passivated.
 Stainless steel bright.

Sample order:

K0658.1004

KIPP Wing grips "Miniwing" with tapped through bush

Order No.	Component material	D
K0658.1004	steel	M4
K0658.1005	steel	M5
K0658.1006	steel	M6
K0658.10004	stainless steel	M4
K0658.10005	stainless steel	M5
K0658.10006	stainless steel	M6