

Swivel feet plates extended

plastic



Material:

Plates, thermoplastic, fibreglass reinforced.
Anti-slip plate thermoplastic elastomer.

Version:

Black.

Sample order:

K0654.1030

K0654.1030 and K0421.060151 **assembled**

Note for ordering:

If the swivel foot plate and the threaded spindle or ball joint are to be supplied assembled, please add the suffix **“assembled”** to the order number for the plate and the spindle or ball joint.
(e.g. K0654.30803 and K0421.060151 **assembled**.)

Note:

Swivel feet consist of a plate and a threaded spindle or ball joint. Any plate can be combined with any threaded spindle or ball joint. The anti-slip plate absorbs vibrations and prevents the swivel foot slipping.

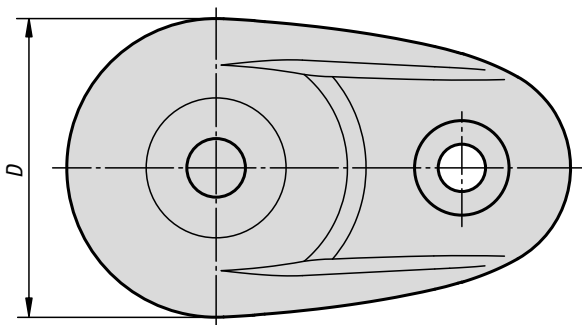
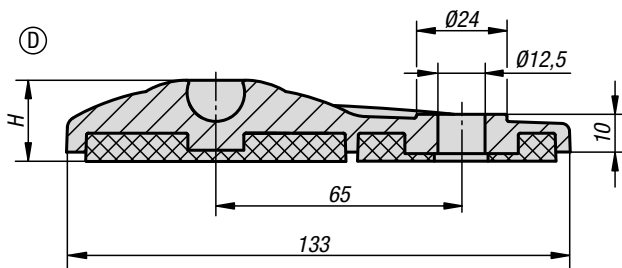
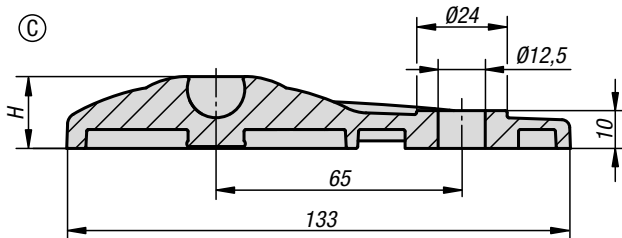
For matching threaded spindles see K0421.

For matching ball joints see K0422.

Drawing reference:

Form C with screw-on hole, without anti-slip plate

Form D with screw-on hole, with anti-slip plate



KIPP Swivel feet plates extended, plastic

Order No.	Form	D	H	Load rating max. kN
K0654.30803	C	80	19	30
K0654.40803	D	80	21	30