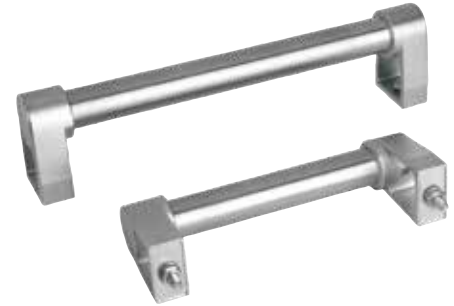


## Tubular handles

stainless steel



**Material:**

Grip and fastening material stainless steel 1.4301.  
 Legs investment cast G 4581.  
 Clamping and sealing rings food-grade silicone rubber,  
 long term temperature resistance -60 °C to +200 °C.

**Version:**

Grip finely ground.  
 Legs blasted and semi-gloss electropolished.

**Sample order:**

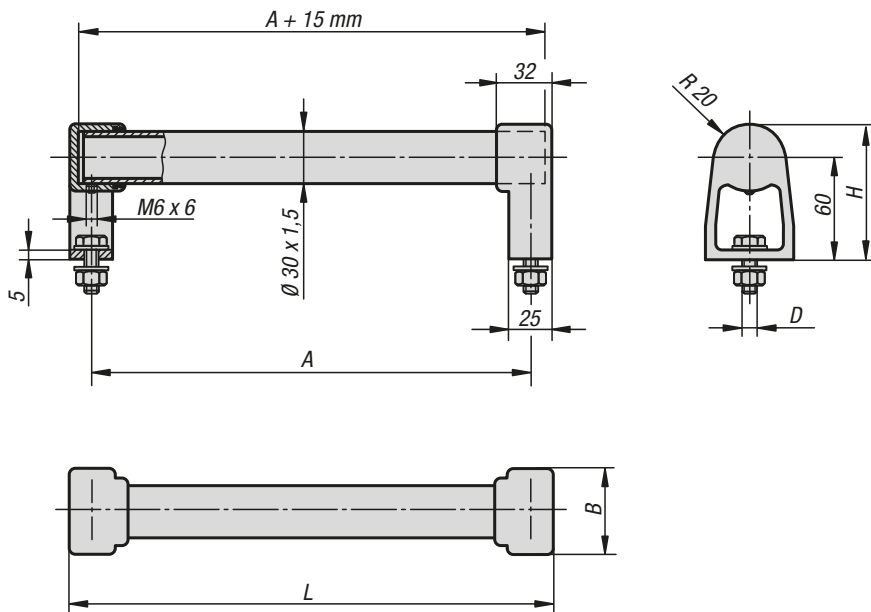
K0652.200301

**Note:**

General purpose self-assembly stainless steel tubular handles. Splashproof tube/leg connection. Additional tube clamping with socket head grub screws. For mounting from the front or rear. Easy to clean, especially suitable for the foodstuff industry.

**Assembly:**

From the front.



### KIPP Tubular handles stainless steel

Order No.	A	B	D	H	L	Load capacity N
K0652.200301	200	48	M8x25	80	225	1000
K0652.250301	250	48	M8x25	80	275	1000
K0652.300301	300	48	M8x25	80	325	1000
K0652.350301	350	48	M8x25	80	375	1000
K0652.400301	400	48	M8x25	80	425	1000
K0652.500301	500	48	M8x25	80	525	1000