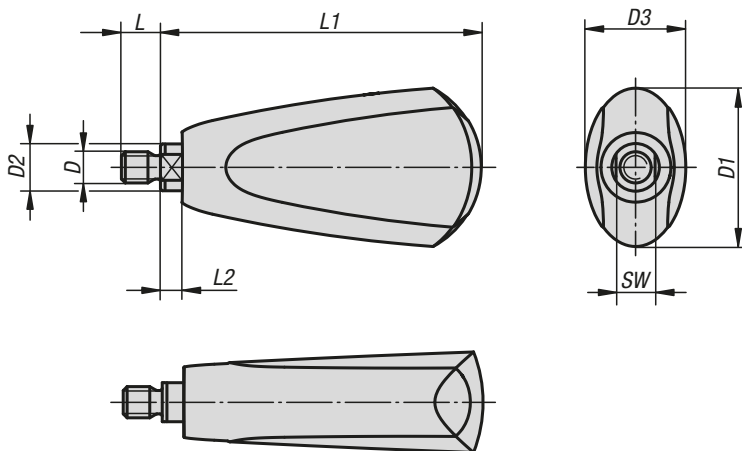


Taper grips revolving

oval



Material:

Thermoset PF 31, black.
Centre pin nickel-plated steel or bright 1.4305 stainless steel.
Snap ring 1.4310 stainless steel.

Version:

High-gloss polished.

Sample order:

K0651.106009

Note:

These grips are suitable as replacement handles for disc handwheels K0164.

KIPP Taper grips revolving, oval

Order No. steel	Order No. stainless steel	D	D1	D2	D3	L	L1	L2	SW
K0651.106009	K0651.1106009	M6	25	8	18	9	54,7	4,5	7
K0651.208010	K0651.1208010	M8	41	12	26	10	82,2	5,5	10

Notes

