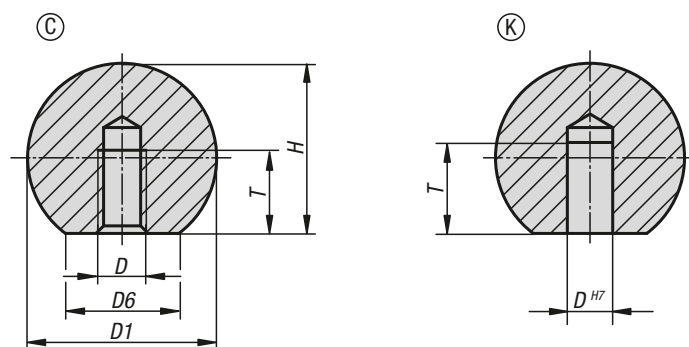


## Ball knobs

stainless steel or aluminium, DIN 319



**Material:**

Stainless steel 1.4301, 1.4305 or aluminium.

**Version:**

Polished.

**Sample order:**

K0650.116043

**Drawing reference:**

Form C: tapped hole  
Form K: reamed hole

### KIPP Ball Knobs, stainless steel or aluminium to DIN 319

Order No.	Form	Form-Type	Main material	Steel code	D	D1	D6	H	T
K0650.116044	C	with internal thread	stainless steel	1.4301	M4	16	8	15	7,2
K0650.120054	C	with internal thread	stainless steel	1.4301	M5	20	12	18	9,1
K0650.125064	C	with internal thread	stainless steel	1.4301	M6	25	15	22,5	11
K0650.132084	C	with internal thread	stainless steel	1.4301	M8	32	18	29	14,5
K0650.140104	C	with internal thread	stainless steel	1.4301	M10	40	22	37	18
K0650.150124	C	with internal thread	stainless steel	1.4301	M12	50	28	46	21
K0650.116042	C	with internal thread	aluminium	-	M4	16	8	15	7,2
K0650.120052	C	with internal thread	aluminium	-	M5	20	12	18	9,1
K0650.125062	C	with internal thread	aluminium	-	M6	25	15	22,5	11
K0650.132082	C	with internal thread	aluminium	-	M8	32	18	29	14,5
K0650.140102	C	with internal thread	aluminium	-	M10	40	22	37	18
K0650.150122	C	with internal thread	aluminium	-	M12	50	28	46	21

Order No.	Form	Form-Type	Main material	Steel code	D	D1	D6	H	T
K0650.316043	K	with reamed hole	stainless steel	1.4305	6	16	8	15	10
K0650.320053	K	with reamed hole	stainless steel	1.4305	8	20	12	18	12
K0650.325063	K	with reamed hole	stainless steel	1.4305	10	25	15	22,5	16
K0650.332083	K	with reamed hole	stainless steel	1.4305	12	32	18	29	20
K0650.340103	K	with reamed hole	stainless steel	1.4305	16	40	22	37	25
K0650.350123	K	with reamed hole	stainless steel	1.4305	20	50	28	46	32
K0650.316042	K	with reamed hole	aluminium	-	6	16	8	15	10
K0650.320052	K	with reamed hole	aluminium	-	8	20	12	18	12
K0650.325062	K	with reamed hole	aluminium	-	10	25	15	22,5	16
K0650.332082	K	with reamed hole	aluminium	-	12	32	18	29	20
K0650.340102	K	with reamed hole	aluminium	-	16	40	22	37	25
K0650.350122	K	with reamed hole	aluminium	-	20	50	28	46	32