

## Cam levers

internal and external thread, stainless steel



**Material:**

Handles 1.4308 stainless steel.  
 Thrust washer plastic PA 66 GF 35-X, fibreglass reinforced.  
 Hinge pin, washer and screw 1.4305 stainless steel.

**Version:**

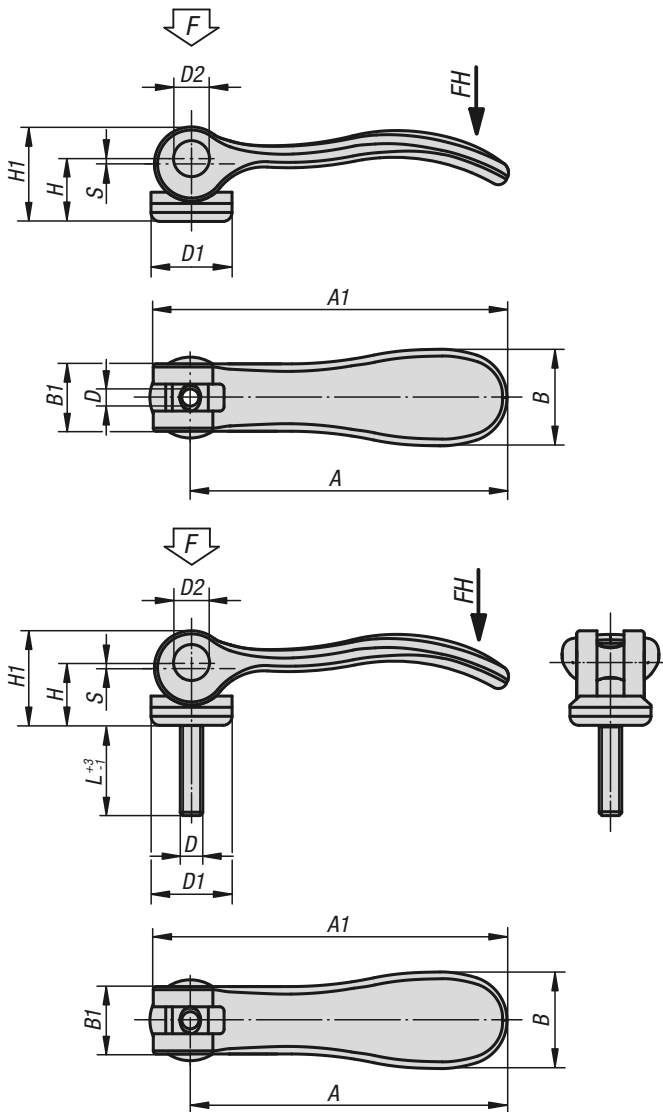
Handle electropolished or blasted.  
 Thrust washer black.  
 Hinge pin, washer and screw bright.

**Sample order:**

K0645.1512005X20 (include length L)

**Note:**

Plastics are subject to creeping under load (retardation).



## Cam levers

internal and external thread, stainless steel



## KIPP Cam levers with internal thread, stainless steel

Order No.	Surface finish body	D	D1	D2	B	B1	H	H1	A	A1	Travel S	Clamping force F (kN)	Hand force FH N
K0645.9512003	electropolished	M3	12	6	14,4	11,5	9	13	36,2	41,7	1	1,5	90
K0645.9512004	electropolished	M4	12	6	14,4	11,5	9	13	36,2	41,7	1	1,5	90
K0645.0512004	electropolished	M4	15,4	8	18	13	11,2	17	52,3	59,1	1	2,5	100
K0645.0512005	electropolished	M5	15,4	8	18	13	11,2	17	52,3	59,1	1	2,5	100
K0645.1512005	electropolished	M5	18,1	9	21,5	15	14,5	22	70,4	79,2	1,2	4	120
K0645.1512006	electropolished	M6	18,1	9	21,5	15	14,5	22	70,4	79,2	1,2	4	120
K0645.2512008	electropolished	M8	27,1	11	33,3	24	18	28,5	96	108	1,5	8	350
K0645.9512303	blasted	M3	12	6	14,4	11,5	9	13	36,2	41,7	1	1,5	90
K0645.9512304	blasted	M4	12	6	14,4	11,5	9	13	36,2	41,7	1	1,5	90
K0645.0512304	blasted	M4	15,4	8	18	13	11,2	17	52,3	59,1	1	2,5	100
K0645.0512305	blasted	M5	15,4	8	18	13	11,2	17	52,3	59,1	1	2,5	100
K0645.1512305	blasted	M5	18,1	9	21,5	15	14,5	22	70,4	79,2	1,2	4	120
K0645.1512306	blasted	M6	18,1	9	21,5	15	14,5	22	70,4	79,2	1,2	4	120
K0645.2512308	blasted	M8	27,1	11	33,3	24	18	28,5	96	108	1,5	8	350

## KIPP Cam levers with external thread, stainless steel

Order No.	Surface finish body	D	D1	D2	B	B1	H	H1	A	A1	L	Travel S	Clamping force F (kN)	Hand force FH N
K0645.9512003X	electropolished	M3	12	6	14,4	11,5	9	13	36,2	41,7	10/15/30	1	1,5	90
K0645.9512004X	electropolished	M4	12	6	14,4	11,5	9	13	36,2	41,7	10/15/30	1	1,5	90
K0645.0512004X	electropolished	M4	15,4	8	18	13	11,2	17	52,3	59,1	15/20/30	1	2,5	100
K0645.0512005X	electropolished	M5	15,4	8	18	13	11,2	17	52,3	59,1	20/30/40/50	1	2,5	100
K0645.1512005X	electropolished	M5	18,1	9	21,5	15	14,5	22	70,4	79,2	20/30/40/50	1,2	4	120
K0645.1512006X	electropolished	M6	18,1	9	21,5	15	14,5	22	70,4	79,2	20/30/40/50	1,2	4	120
K0645.2512008X	electropolished	M8	27,1	11	33,3	24	18	28,5	96	108	25/30/40/50	1,5	8	350
K0645.2512010X	electropolished	M10	27,1	11	33,3	24	18	28,5	96	108	25/30/40/50	1,5	8	350
K0645.9512303X	blasted	M3	12	6	14,4	11,5	9	13	36,2	41,7	10/15/30	1	1,5	90
K0645.9512304X	blasted	M4	12	6	14,4	11,5	9	13	36,2	41,7	10/15/30	1	1,5	90
K0645.0512304X	blasted	M4	15,4	8	18	13	11,2	17	52,3	59,1	15/20/30	1	2,5	100
K0645.0512305X	blasted	M5	15,4	8	18	13	11,2	17	52,3	59,1	20/30/40/50	1	2,5	100
K0645.1512305X	blasted	M5	18,1	9	21,5	15	14,5	22	70,4	79,2	20/30/40/50	1,2	4	120
K0645.1512306X	blasted	M6	18,1	9	21,5	15	14,5	22	70,4	79,2	20/30/40/50	1,2	4	120
K0645.2512308X	blasted	M8	27,1	11	33,3	24	18	28,5	96	108	25/30/40/50	1,5	8	350
K0645.2512310X	blasted	M10	27,1	11	33,3	24	18	28,5	96	108	25/30/40/50	1,5	8	350

# Cam levers

internal or external thread, stainless steel, thrust washer stainless steel



### Material:

Handle 1.4308 stainless steel.  
Thrust washer 1.4034 stainless steel, hardened.  
Hinge pin and stud 1.4305 stainless steel.

### Version:

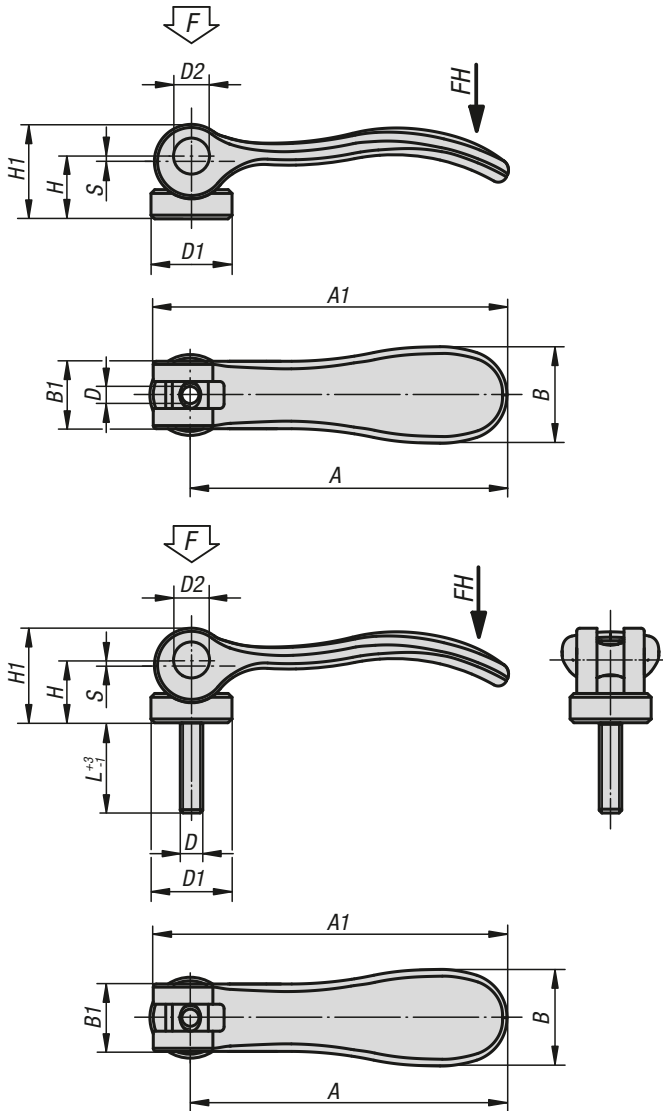
Handle electropolished or blasted.  
Thrust washer, hinge pin and screw bright.

### Sample order:

K0645.0541005X20 (include length L)

### Note:

The thrust washer face is lightly greased before delivery.  
The grease is FDA conform and is suitable for use in the foodstuff and pharmaceutical industries.



## Cam levers

internal or external thread, stainless steel, thrust washer stainless steel



### KIPP Cam levers, stainless steel, with internal thread, thrust washer stainless steel

Order No. electropolished	Order No. blasted	D	D1	D2	B	B1	H	H1	A	A1	Travel S	Clamping force F (kN)	Hand force FH N
K0645.9541003	K0645.9541303	M3	12	6	14,4	11,5	9	13,5	36,2	41,7	1	1,5	90
K0645.9541004	K0645.9541304	M4	12	6	14,4	11,5	9	13,5	36,2	41,7	1	1,5	90
K0645.0541004	K0645.0541304	M4	15,4	8	18	13	11,4	17,2	52,3	59,1	1	2,5	100
K0645.0541005	K0645.0541305	M5	15,4	8	18	13	11,4	17,2	52,3	59,1	1	2,5	100
K0645.1541005	K0645.1541305	M5	18	9	21,5	15	14,7	22	70,4	79,2	1,2	4	120
K0645.1541006	K0645.1541306	M6	18	9	21,5	15	14,7	22	70,4	79,2	1,2	4	120
K0645.2541008	K0645.2541308	M8	27	11	33,3	24	18,3	28,8	96	108	1,5	8	350

### KIPP Cam levers, stainless steel, with external thread, thrust washer stainless steel

Order No. electropolished	Order No. blasted	D	D1	D2	B	B1	H	H1	A	A1	L	Travel S	Clamping force F (kN)	Hand force FH N
K0645.9541003X	K0645.9541303X	M3	12	6	14,4	11,5	9	13,5	36,2	41,7	10/15/30	1	1,5	90
K0645.9541004X	K0645.9541304X	M4	12	6	14,4	11,5	9	13,5	36,2	41,7	10/15/30	1	1,5	90
K0645.0541004X	K0645.0541304X	M4	15,4	8	18	13	11,4	17,2	52,3	59,1	15/20/30	1	2,5	100
K0645.0541005X	K0645.0541305X	M5	15,4	8	18	13	11,4	17,2	52,3	59,1	20/30/40/50	1	2,5	100
K0645.1541005X	K0645.1541305X	M5	18	9	21,5	15	14,7	22	70,4	79,2	20/30/40/50	1,2	4	120
K0645.1541006X	K0645.1541306X	M6	18	9	21,5	15	14,7	22	70,4	79,2	20/30/40/50	1,2	4	120
K0645.2541008X	K0645.2541308X	M8	27	11	33,3	24	18,3	28,8	96	108	25/30/40/50	1,5	8	350
K0645.2541010X	K0645.2541310X	M10	27	11	33,3	24	18,3	28,8	96	108	25/30/40/50	1,5	8	350