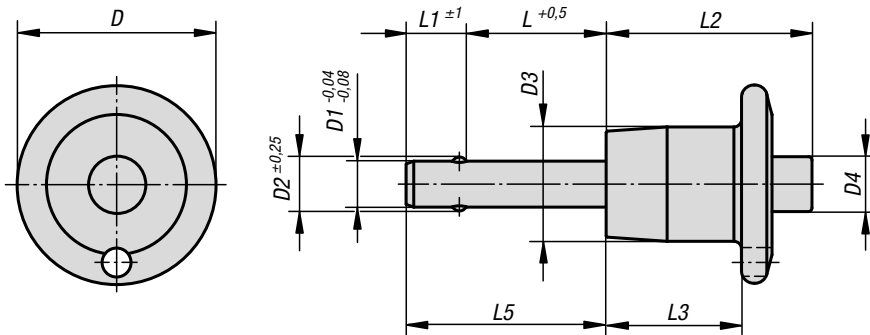


Ball lock pins with mushroom grip

stainless steel



Material:

Pin stainless steel 1.4542.

Mushroom knob and push button stainless steel 1.4305.

Balls stainless steel 1.4125.

Compression spring stainless steel.

Version:

All stainless steel parts passivated.

Pin hardened to min. 40 HRC.

Balls hardened to 58 +4 HRC.

Sample order:

K0641.02105030

(include length L e.g. 030 for L = 30 mm.)

Note:

Ball lock pins are used for easy fastening or joining of components or workpieces.

The two balls are disengaged by pressing the push button and the pin can be slipped into holes in the workpieces. When the push button is released, the balls lock the connection securely. If required, the ball lock pins can be fitted with a retaining cable.

Shear force double shear (F) = $S \cdot \tau$ aB max.

The values given for the shear force are the theoretical breaking load.

These are non-binding reference values without consideration of safety factors and exclude any liability. The values given are for information purposes only and do not constitute a legally binding assurance of properties.

The load values have been calculated in accordance with DIN 50141. Each user must determine individually whether the ball lock pin is suitable for the respective application.

Different materials in which the ball lock pins are used, weather conditions and wear can influence the determined values.

The ball lock pins with pin diameters 5 and 6 mm have a collar between the pin and grip.

Accessories:

Bushes for ball lock pins K0724

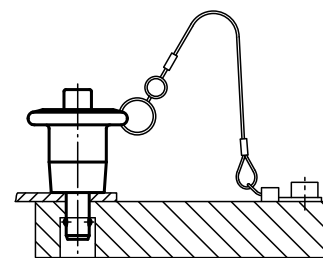
Safety spiral cable K0367

Retaining cable with loop K0367

Key ring K0367

Ball lock pins with mushroom grip

stainless steel



KIPP Ball lock pins with mushroom grip, stainless steel

Order No.	D	D1	D2	D3	D4	L	L1	L2	L3	L5	Receiving hole H11	Shearing force double shear max.kN
K0641.02105***	20,6	5	5,54	11,9	5,8	10/15/20/25/30/35/40/50/60/70	6	23,4	16	16/21/26/31/36/41/46/56/66/76	5	24,4
K0641.02106***	20,6	6	6,99	11,9	5,8	10/15/20/25/30/35/40/50/60/70/80	7	23,4	16	17/22/27/32/37/42/47/57/67/77/87	6	35,64
K0641.02108***	20,6	8	9,42	11,9	5,8	10/15/20/25/30/35/40/50/60/70/80	8	23,4	16	18/23/28/33/38/43/48/58/68/78/88	8	63,8
K0641.02510***	25,4	10	11,86	14,2	7,4	15/20/25/30/35/40/50/60/70/80/90/100	9	25,7	17,8	24/29/34/39/44/49/59/69/79/89/99/109	10	100,1
K0641.03512***	34,7	12	14,45	18,3	10,7	20/25/30/35/40/50/60/70/80/90/100	10	32,3	21,6	30/35/40/45/50/60/70/80/90/100/110	12	144,06