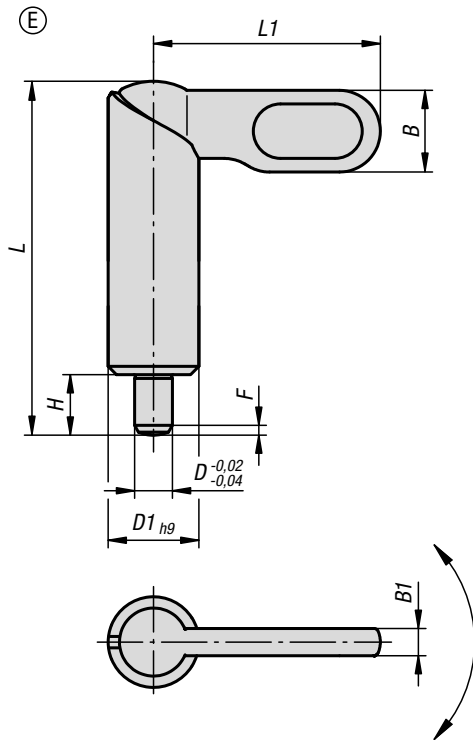


Cam-action indexing plungers

stainless steel



Material:

Handle stainless steel 1.4308.
Indexing pin stainless steel 1.4305.
Sleeve stainless steel 1.4301.

Version:

Bright.
Indexing pin ground, not hardened.

Sample order:

K0640.1081220

Note:

Cam-action indexing plungers are used when the indexing pin should not project all the time. Turning the handle through 180° retracts the pin. A notch ensures that the handle remains in this position.

Drawing reference:

Form E: grip uncoated, smooth sleeve

KIPP Cam-action indexing plungers stainless steel

Order No.	Form	D	D1	L	L1	B	B1	H	Fx30°	Spring force initial pressure F1 approx. N	Spring force final pressure F2 approx. N
K0640.1080410	E	4	10	38	25	9	3	6	1	8	14
K0640.1080510	E	5	10	38	25	9	3	6	1,3	8	14
K0640.1080610	E	6	10	38	25	9	3	6	1,8	8	14
K0640.1080512	E	5	12	46,8	30	10,8	3,6	8	1,3	8	15
K0640.1080612	E	6	12	46,8	30	10,8	3,6	8	1,8	8	15
K0640.1080812	E	8	12	46,8	30	10,8	3,6	8	2,3	8	15
K0640.1080616	E	6	16	60,4	40	14,4	4,8	10	1,8	15	35
K0640.1080816	E	8	16	60,4	40	14,4	4,8	10	2,3	15	35
K0640.1081016	E	10	16	60,4	40	14,4	4,8	10	2,8	15	35
K0640.1080820	E	8	20	70	50	18	6	12	2,3	20	60
K0640.1081020	E	10	20	70	50	18	6	12	2,8	20	60
K0640.1081220	E	12	20	70	50	18	6	12	3	20	60