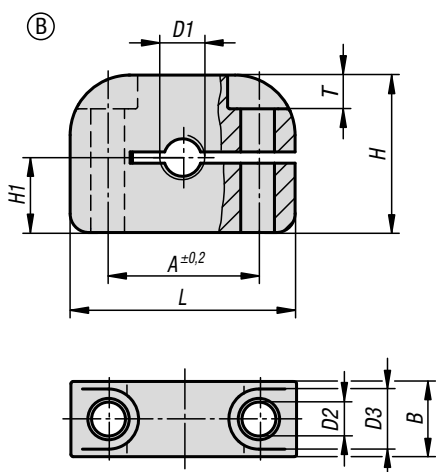
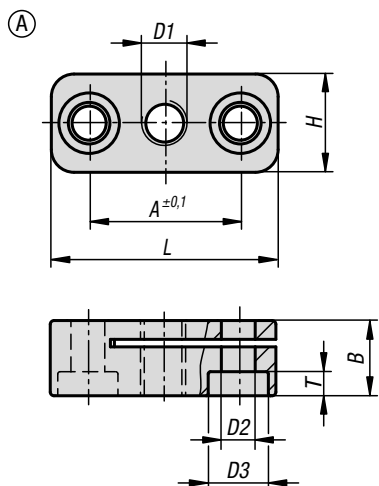


Mounting brackets

aluminium



Material:

Aluminium 3.2163.

Version:

Black.

Sample order:

K0638.308

Note:

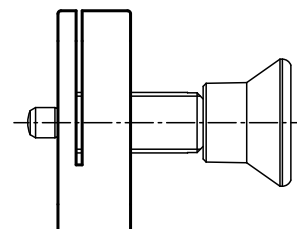
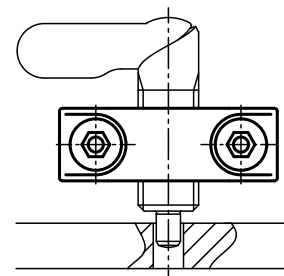
These mounting brackets are an assembly aid for cam-action and other indexing plungers and expand the application field. They can also be used with other elements that have a suitable thread.

Fastened using DIN 912 / ISO 4762 cap screws.

Drawing reference:

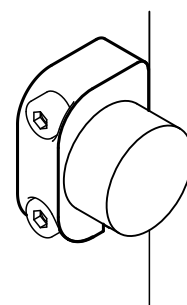
Form A: fastening holes parallel to thread

Form B: fastening holes perpendicular to thread



Mounting brackets

aluminium



KIPP Mounting bracket aluminium

| Order No. | Form | D1 | D2 | D3 | A | B | H | H1 | L | T |
|------------|------|---------|-----|----|----|----|----|----|----|-----|
| K0638.306 | A | M6 | 4,5 | 8 | 20 | 10 | 13 | - | 30 | 3,2 |
| K0638.3061 | A | M6x0,75 | 4,5 | 8 | 20 | 10 | 13 | - | 30 | 3,2 |
| K0638.308 | A | M8 | 4,5 | 8 | 20 | 10 | 13 | - | 30 | 3,2 |
| K0638.3081 | A | M8x1 | 4,5 | 8 | 20 | 10 | 13 | - | 30 | 3,2 |
| K0638.310 | A | M10 | 5,5 | 10 | 24 | 12 | 18 | - | 37 | 3,9 |
| K0638.3101 | A | M10x1 | 5,5 | 10 | 24 | 12 | 18 | - | 37 | 3,9 |
| K0638.312 | A | M12 | 5,5 | 10 | 24 | 12 | 18 | - | 37 | 3,9 |
| K0638.3121 | A | M12x1,5 | 5,5 | 10 | 24 | 12 | 18 | - | 37 | 3,9 |
| K0638.316 | A | M16 | 5,5 | 10 | 32 | 15 | 25 | - | 46 | 3,9 |
| K0638.3161 | A | M16x1,5 | 5,5 | 10 | 32 | 15 | 25 | - | 46 | 3,9 |
| K0638.320 | A | M20 | 5,5 | 10 | 32 | 15 | 25 | - | 46 | 3,9 |
| K0638.3201 | A | M20x1,5 | 5,5 | 10 | 32 | 15 | 25 | - | 46 | 3,9 |
| K0638.406 | B | M6 | 4,5 | 8 | 20 | 10 | 21 | 10 | 30 | 4,5 |
| K0638.4061 | B | M6x0,75 | 4,5 | 8 | 20 | 10 | 21 | 10 | 30 | 4,5 |
| K0638.408 | B | M8 | 4,5 | 8 | 20 | 10 | 21 | 10 | 30 | 4,5 |
| K0638.4081 | B | M8x1 | 4,5 | 8 | 20 | 10 | 21 | 10 | 30 | 4,5 |
| K0638.410 | B | M10 | 5,5 | 10 | 24 | 12 | 26 | 13 | 36 | 5,5 |
| K0638.4101 | B | M10x1 | 5,5 | 10 | 24 | 12 | 26 | 13 | 36 | 5,5 |
| K0638.412 | B | M12 | 5,5 | 10 | 24 | 12 | 26 | 13 | 36 | 5,5 |
| K0638.4121 | B | M12x1,5 | 5,5 | 10 | 24 | 12 | 26 | 13 | 36 | 5,5 |
| K0638.416 | B | M16 | 5,5 | 10 | 32 | 15 | 29 | 17 | 46 | 5,5 |
| K0638.4161 | B | M16x1,5 | 5,5 | 10 | 32 | 15 | 29 | 17 | 46 | 5,5 |
| K0638.420 | B | M20 | 5,5 | 10 | 32 | 15 | 29 | 17 | 46 | 5,5 |
| K0638.4201 | B | M20x1,5 | 5,5 | 10 | 32 | 15 | 29 | 17 | 46 | 5,5 |

Mounting brackets



Material:
Steel.

Version:
Black oxidised.

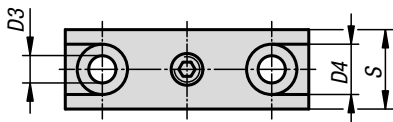
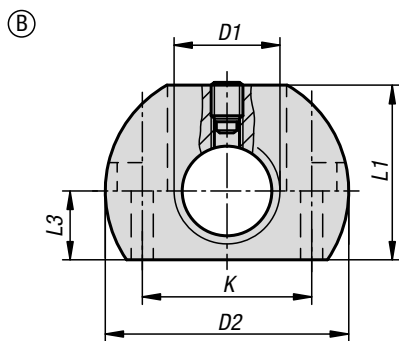
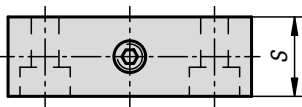
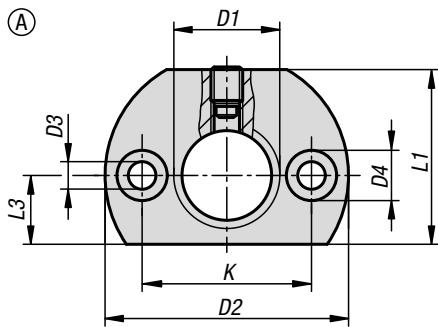
Sample order:
K0638.116

Note:

These mounting brackets are assembly aids for cam-action indexing plungers and extend their application field. They can also be used with other indexing plungers or other elements that have a suitable thread. Fastened using cap screws.

Drawing reference:

Form A: fastening holes parallel to indexing plunger
Form B: fastening holes perpendicular to indexing plunger



KIPP Mounting brackets

| Order No. | Form | D1 | D2 | D3 | D4 | K | L1 | L3 | S |
|------------|------|---------|----|-----|----|----|----|----|----|
| K0638.112 | A | M12 | 36 | 5,5 | 10 | 24 | 25 | 10 | 12 |
| K0638.1121 | A | M12x1,5 | 36 | 5,5 | 10 | 24 | 25 | 10 | 12 |
| K0638.116 | A | M16 | 46 | 5,5 | 10 | 32 | 33 | 13 | 15 |
| K0638.1161 | A | M16x1,5 | 46 | 5,5 | 10 | 32 | 33 | 13 | 15 |
| K0638.120 | A | M20 | 46 | 5,5 | 10 | 32 | 33 | 13 | 15 |
| K0638.1201 | A | M20x1,5 | 46 | 5,5 | 10 | 32 | 33 | 13 | 15 |
| K0638.212 | B | M12 | 36 | 5,5 | 10 | 24 | 25 | 10 | 12 |
| K0638.2121 | B | M12x1,5 | 36 | 5,5 | 10 | 24 | 25 | 10 | 12 |
| K0638.216 | B | M16 | 46 | 5,5 | 10 | 32 | 33 | 13 | 15 |
| K0638.2161 | B | M16x1,5 | 46 | 5,5 | 10 | 32 | 33 | 13 | 15 |
| K0638.220 | B | M20 | 46 | 5,5 | 10 | 32 | 33 | 13 | 15 |
| K0638.2201 | B | M20x1,5 | 46 | 5,5 | 10 | 32 | 33 | 13 | 15 |