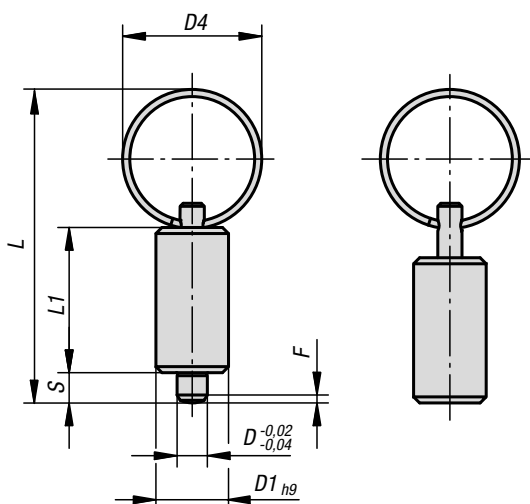


Indexing plungers

without collar



Material:

Steel version:

Indexing pin hardened.
Sleeve 1.0403 weldable.
Indexing pin grade 5.8.

Stainless steel version:

Indexing pin hardened:
Sleeve 1.4301 weldable.
Indexing pin 1.4034.

Indexing pin not hardened:

Sleeve 1.4301 weldable.
Indexing pin 1.4305.

Key ring 1.4310, bright.

Version:

Steel version:

Indexing pin hardened, ground, black oxidised.

Stainless steel version:

Indexing pin hardened, ground and bright.

Indexing pin not hardened, ground and bright.

Sample order:

K0636.4206

Note:

Indexing plungers are used to prevent any change in locking position due to lateral forces. A new locking position can only be set after the pin has been manually disengaged.

The key ring enables actuating the indexing plunger e.g. automatically (program-controlled) with the aid of a pneumatic cylinder or remote controlled with Bowden cables.

If the indexing plunger is welded on, the sleeve should be tack welded so that the spring is not thermally damaged due to high temperatures.

On request:

Special versions.

Indexing plungers

without collar



KIPP Indexing plungers without collar, steel, indexing pin hardened

Order No.	Main material	Surface finish body	D	D1	D4	L	L1	Travel S	Fx30°	Spring force initial pressure F1 approx. N	Spring force final pressure F2 approx. N
K0636.4004	steel	hardened	4	10	15	40	21	4	1	6	12
K0636.4105	steel	hardened	5	12	23	52	24	5	1,3	5	12
K0636.4206	steel	hardened	6	14	23	57	28	6	1,8	6	14
K0636.4308	steel	hardened	8	18	28	72	36	8	2,3	15	35
K0636.4410	steel	hardened	10	22	28	78	40	10	2,8	15	34

KIPP Indexing plungers without collar, stainless steel, indexing pin hardened

Order No.	Main material	Surface finish body	D	D1	D4	L	L1	Travel S	Fx30°	Spring force initial pressure F1 approx. N	Spring force final pressure F2 approx. N
K0636.04004	stainless steel	hardened	4	10	15	40	21	4	1	6	12
K0636.04105	stainless steel	hardened	5	12	23	52	24	5	1,3	5	12
K0636.04206	stainless steel	hardened	6	14	23	57	28	6	1,8	6	14
K0636.04308	stainless steel	hardened	8	18	28	72	36	8	2,3	15	35
K0636.04410	stainless steel	hardened	10	22	28	78	40	10	2,8	15	34

KIPP Indexing plungers without collar, stainless steel, indexing pin not hardened

Order No.	Main material	Surface finish body	D	D1	D4	L	L1	Travel S	Fx30°	Spring force initial pressure F1 approx. N	Spring force final pressure F2 approx. N
K0636.14004	stainless steel	not hardened	4	10	15	40	21	4	1	6	12
K0636.14105	stainless steel	not hardened	5	12	23	52	24	5	1,3	5	12
K0636.14206	stainless steel	not hardened	6	14	23	57	28	6	1,8	6	14
K0636.14308	stainless steel	not hardened	8	18	28	72	36	8	2,3	15	35
K0636.14410	stainless steel	not hardened	10	22	28	78	40	10	2,8	15	34