

# Indexing plungers

without collar



### Material:

Steel version  
Indexing pin hardened:  
grade 5.8.

Stainless steel version  
Indexing pin hardened:  
Threaded sleeve 1.4305.  
Indexing pin 1.4034.

Indexing pin not hardened:  
Threaded sleeve 1.4305.  
Indexing pin 1.4305.

Key ring 1.4310, bright.

### Version:

Steel version:  
Indexing pin hardened, ground, black oxidised.

Stainless steel version:  
Indexing pin hardened, ground and bright.  
Indexing pin not hardened, ground and bright.

### Sample order:

K0635.03206

### Note:

Indexing plungers are used to prevent any change in locking position due to lateral forces. A new locking position can only be set after the pin has been disengaged.

The key ring is also suitable for actuation of the indexing plungers e.g. automatically (program-controlled) with the aid of a pneumatic cylinder or remote control with bowden cables.

A screw-in washer can be supplied to help screw in the indexing plungers. The washer is fitted onto the threaded sleeve so that the carrier pins engage in the slot.

### On request:

Special versions.

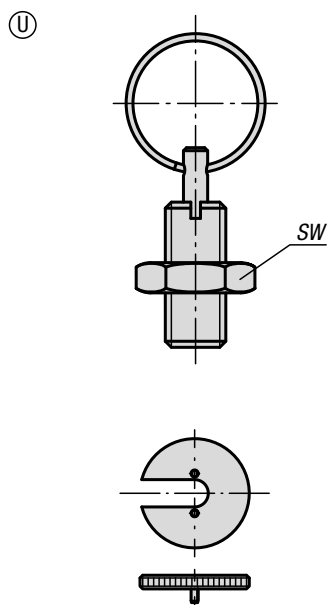
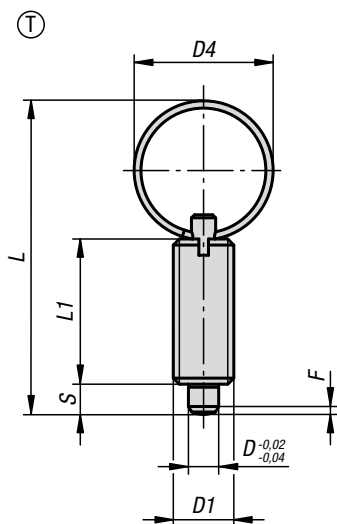
### Accessories:

Spacer rings K0665

### Drawing reference:

Form T: without locknut

Form U: with locknut



## Indexing plungers

without collar



## KIPP Indexing plungers without collar, steel, indexing pin hardened

Order No. Form T	Order No. Form U	D	D1	D4	L	L1	Travel S	SW	Fx30°	Spring force initial pressure F1 approx. N	Spring force final pressure F2 approx. N	Order No. screw-in washer
K0635.3004	K0635.4004	4	M8x1	15	40	21	4	-/13	1	6	12	K0344.90
K0635.3105	K0635.4105	5	M10x1	23	52	24	5	-/17	1,3	5	12	K0344.91
K0635.3206	K0635.4206	6	M12x1,5	23	57	28	6	-/19	1,8	6	14	K0344.92
K0635.3308	K0635.4308	8	M16x1,5	28	72	36	8	-/24	2,3	15	35	K0344.93
K0635.3410	K0635.4410	10	M20x1,5	28	78	40	10	-/30	2,8	15	34	K0344.94

## KIPP Indexing plungers without collar, stainless steel, indexing pin hardened

Order No. Form T	Order No. Form U	D	D1	D4	L	L1	Travel S	SW	Fx30°	Spring force initial pressure F1 approx. N	Spring force final pressure F2 approx. N	Order No. screw-in washer
K0635.03004	K0635.04004	4	M8x1	15	40	21	4	-/13	1	6	12	K0344.90
K0635.03105	K0635.04105	5	M10x1	23	52	24	5	-/17	1,3	5	12	K0344.91
K0635.03206	K0635.04206	6	M12x1,5	23	57	28	6	-/19	1,8	6	14	K0344.92
K0635.03308	K0635.04308	8	M16x1,5	28	72	36	8	-/24	2,3	15	35	K0344.93
K0635.03410	K0635.04410	10	M20x1,5	28	78	40	10	-/30	2,8	15	34	K0344.94

## KIPP Indexing plungers without collar, stainless steel, indexing pin not hardened

Order No. Form T	Order No. Form U	D	D1	D4	L	L1	Travel S	SW	Fx30°	Spring force initial pressure F1 approx. N	Spring force final pressure F2 approx. N	Order No. screw-in washer
K0635.13004	K0635.14004	4	M8x1	15	40	21	4	-/13	1	6	12	K0344.90
K0635.13105	K0635.14105	5	M10x1	23	52	24	5	-/17	1,3	5	12	K0344.91
K0635.13206	K0635.14206	6	M12x1,5	23	57	28	6	-/19	1,8	6	14	K0344.92
K0635.13308	K0635.14308	8	M16x1,5	28	72	36	8	-/24	2,3	15	35	K0344.93
K0635.13410	K0635.14410	10	M20x1,5	28	78	40	10	-/30	2,8	15	34	K0344.94