

Indexing plungers stainless steel



Indexing plungers are used where it is necessary to prevent changes of position due to lateral forces. Some examples of this are for length, height and position indexing in machines, equipment, furniture and special vehicle construction.

A new indexed position can be only be moved to after the pin has been manually retracted. Form C and D are recommended for applications where the indexing pin should remain disengaged for an extended period and be prevented from springing back.

The materials used enable diverse applications including those with the highest demands on corrosion resistance

Material:

Indexing pin hardened:
Threaded sleeve 1.4305.
Indexing pin 1.4034.

Indexing pin not hardened:
Threaded sleeve 1.4305.
Indexing pin 1.4305.

Mushroom grip 1.4305, fine turned.

Version:

Bright.
Indexing pin ground.

Sample order:

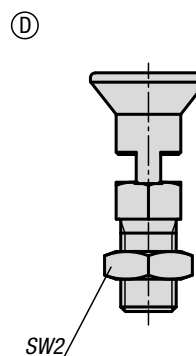
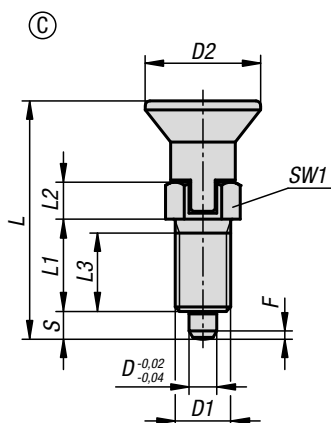
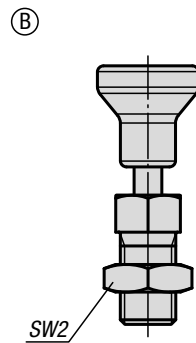
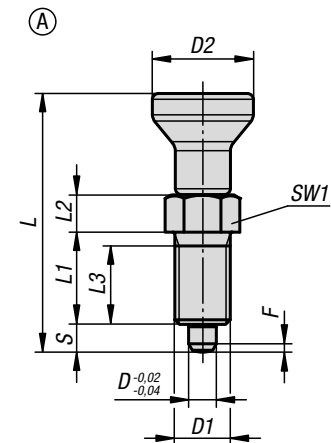
K0632.001004

On request:

Special versions.

Accessories:

Spacer rings K0665



Indexing plungers stainless steel



KIPP Indexing plungers, stainless steel A2, indexing pin hardened

Order No. Form A	Order No. Form B	Order No. Form C	Order No. Form D	D	D1	D2	L	L1	L2	L3	Travel S	SW1	SW2	Fx30°	Spring force initial pressure F1 approx. N	Spring force final pressure F2 approx. N
K0632.001903	K0632.002903	K0632.003903	K0632.004903	3	M6x0,75	14	34,5/34,5/31,5/31,5	12	5	10	3,5	8	-/10/-/10	0,8	4,5	10
K0632.001004	K0632.002004	K0632.003004	K0632.004004	4	M8x1	18	43/43/38,5/38,5	15	6	13	4	10	-/13/-/13	1	6	12
K0632.001105	K0632.002105	K0632.003105	K0632.004105	5	M10x1	21	50/50/43,5/43,5	17	7	15	5	13	-/17/-/17	1,3	5	12
K0632.001206	K0632.002206	K0632.003206	K0632.004206	6	M12x1,5	25	59/59/51,7/51,7	20	8	17	6	14	-/19/-/19	1,8	6	14
K0632.001308	K0632.002308	K0632.003308	K0632.004308	8	M16x1,5	33	77/77/68/68	26	10	23	8	19	-/24/-/24	2,3	15	35
K0632.001410	K0632.002410	K0632.003410	K0632.004410	10	M20x1,5	33	83/83/74/74	28	12	25	10	22	-/30/-/30	2,8	15	34
K0632.001412	K0632.002412	K0632.003412	K0632.004412	12	M20x1,5	33	87/87/78/78	28	14	25	12	22	-/30/-/30	2,8	15	39
K0632.001516	K0632.002516	K0632.003516	K0632.004516	16	M24x2	40	106/106/96/96	32	18	28	16	27	-/36/-/36	3,2	20	46

KIPP Indexing plungers, stainless steel A2, indexing pin not hardened

Order No. Form A	Order No. Form B	Order No. Form C	Order No. Form D	D	D1	D2	L	L1	L2	L3	Travel S	SW1	SW2	Fx30°	Spring force initial pressure F1 approx. N	Spring force final pressure F2 approx. N
K0632.111903	K0632.112903	K0632.113903	K0632.114903	3	M6x0,75	14	34,5/34,5/31,5/31,5	12	5	10	3,5	8	-/10/-/10	0,8	4,5	10
K0632.111004	K0632.112004	K0632.113004	K0632.114004	4	M8x1	18	43/43/38,5/38,5	15	6	13	4	10	-/13/-/13	1	6	12
K0632.111105	K0632.112105	K0632.113105	K0632.114105	5	M10x1	21	50/50/43,5/43,5	17	7	15	5	13	-/17/-/17	1,3	5	12
K0632.111206	K0632.112206	K0632.113206	K0632.114206	6	M12x1,5	25	59/59/51,7/51,7	20	8	17	6	14	-/19/-/19	1,8	6	14
K0632.111308	K0632.112308	K0632.113308	K0632.114308	8	M16x1,5	33	77/77/68/68	26	10	23	8	19	-/24/-/24	2,3	15	35
K0632.111410	K0632.112410	K0632.113410	K0632.114410	10	M20x1,5	33	83/83/74/74	28	12	25	10	22	-/30/-/30	2,8	15	34
K0632.111412	K0632.112412	K0632.113412	K0632.114412	12	M20x1,5	33	87/87/78/78	28	14	25	12	22	-/30/-/30	2,8	15	39
K0632.111516	K0632.112516	K0632.113516	K0632.114516	16	M24x2	40	106/106/96/96	32	18	28	16	27	-/36/-/36	3,2	20	46