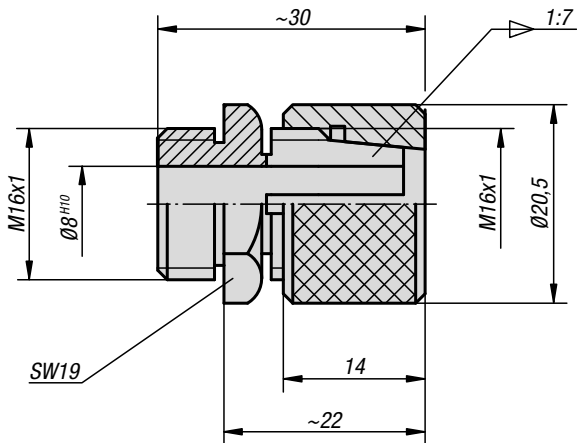


Dial gauge collets

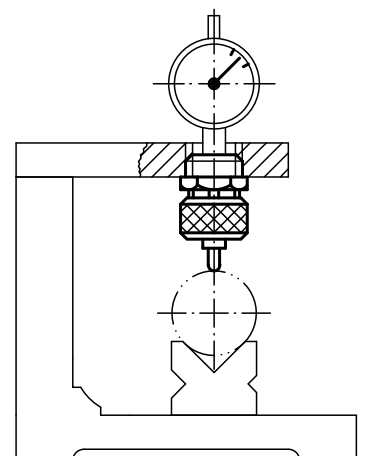
for Ø8 shafts



Material:
Carbon steel.

Version:
Black oxidised.
Collet tempered.

Sample order:
K0629.08



KIPP Dial gauge collets for Ø8 shafts

Order No.	Dimensions
K0629.08	see drawing