

Square tube connectors

two-way swivel



Material, version:

Polyamide PA, black.
DIN 6912 screws and DIN 934 nuts electro zinc-plated steel.

Sample order:

K0625.1251511

Note:

The tube connectors are simply pushed into the appropriate square tubing. They can be dismantled and reused repeatedly. The swivel angle can be seamlessly adjusted.

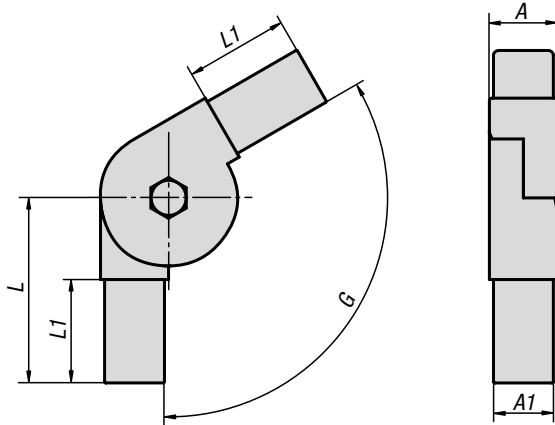
Assembly:

There are two chambers in each of the two journals on the joint, into which hex nuts (not supplied) can be inserted if required to secure the journals in the tube:

- Connector 20x20: 10AF
- Connector 25x25: no chamber
- Connector 30x30: 13AF

Accessories:

- Square tubes K0627
- Finned square tubes K0628



KIPP Square tube connectors, two-way swivel

Order No.	A	A1	L	L1	G	Suitable for square tubes
K0625.1201511	20	17	59	34	0° - 190°	20 x 20 x 1,5
K0625.1251511	25	22	68	38	0° - 190°	25 x 25 x 1,5
K0625.1251512	25	22	59	38	45° - 195°	25 x 25 x 1,5
K0625.1302011	30	26	75	40	0° - 190°	30 x 30 x 2
K0625.1302012	30	26	68	42	45° - 200°	30 x 30 x 2