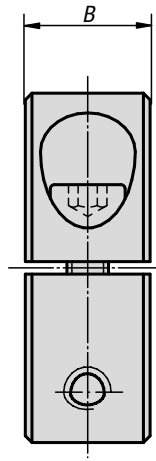
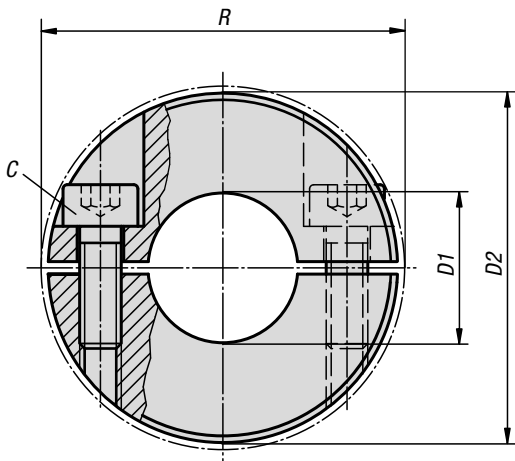


Shaft collars two-piece

**Material:**

Steel.
Stainless steel 1.4305.
Stainless steel 1.4404.
Aluminium.

Version:

Steel black oxidised, screw steel 12.9.
Stainless steel bright, screw stainless steel A2-70.
Stainless steel bright, screw stainless steel A4-70.
Aluminium bright, screw stainless steel A2-70.

Sample order:

K0612.01001

Note:

Two-piece shaft collars surround the shaft with an equal distribution of the clamping force. This leads to a very precise fit and high retaining force without damaging the shaft.

The shaft tolerance should lie within h11.

The two-part design enables simple and quick assembly without having to dismantle adjacent components.

The shaft collars made of A4 stainless steel have a small centre point mark on the OD.

Temperature range:

-40 °C to +175 °C.

On request:

Other dimensions.

KIPP Shaft collars two-piece

Order No. steel	Order No. aluminium	B	C (DIN 912)	D1	D2	R
K0612.00401	K0612.00403	9	M3x8	4	16	20,7
K0612.00501	K0612.00503	9	M3x8	5	16	20,7
K0612.00601	K0612.00603	9	M3x8	6	16	20,7
K0612.00801	K0612.00803	9	M3x8	8	18	22,4
K0612.01001	K0612.01003	9	M3x10	10	24	26
K0612.01201	K0612.01203	11	M4x12	12	28	31,8
K0612.01501	K0612.01503	13	M5x16	15	34	39,4
K0612.01601	K0612.01603	13	M5x16	16	34	39,4
K0612.01801	K0612.01803	13	M5x16	18	36	41,1
K0612.02001	K0612.02003	15	M6x18	20	40	46,4
K0612.02201	K0612.02203	15	M6x18	22	42	48,1
K0612.02501	K0612.02503	15	M6x18	25	45	50,8
K0612.02801	K0612.02803	15	M6x18	28	48	53,7
K0612.03001	K0612.03003	15	M6x18	30	54	58,6
K0612.04001	K0612.04003	15	M6x18	40	60	65
K0612.05001	K0612.05003	19	M8x25	50	78	87

Order No. stainless steel	Order No. stainless steel A4	B	C (DIN 912)	D1	D2	R
K0612.00402	K0612.00404	9	M3x8	4	16	20,7
K0612.00502	K0612.00504	9	M3x8	5	16	20,7
K0612.00602	K0612.00604	9	M3x8	6	16	20,7
K0612.00802	K0612.00804	9	M3x8	8	18	22,4
K0612.01002	K0612.01004	9	M3x10	10	24	26
K0612.01202	K0612.01204	11	M4x12	12	28	31,8
K0612.01502	K0612.01504	13	M5x16	15	34	39,4
K0612.01602	K0612.01604	13	M5x16	16	34	39,4
K0612.01802	K0612.01804	13	M5x16	18	36	41,1
K0612.02002	K0612.02004	15	M6x18	20	40	46,4
K0612.02202	K0612.02204	15	M6x18	22	42	48,1
K0612.02502	K0612.02504	15	M6x18	25	45	50,8
K0612.02802	K0612.02804	15	M6x18	28	48	53,7
K0612.03002	K0612.03004	15	M6x18	30	54	58,6
K0612.04002	K0612.04004	15	M6x18	40	60	65
K0612.05002	K0612.05004	19	M8x25	50	78	87