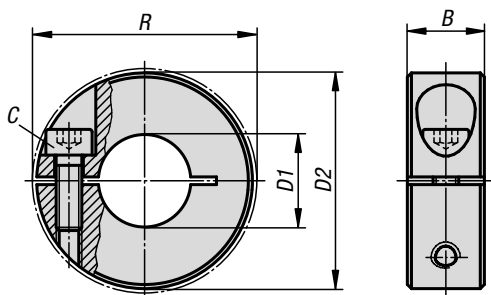


One-piece shaft collars

slitted inside



Material:

Steel.
Stainless steel 1.4305.
Stainless steel 1.4404.
Aluminium.

Version:

Steel black oxidised, screw steel 12.9.
Stainless steel bright, screw stainless steel A2-70.
Stainless steel bright, screw stainless steel A4-70.
Aluminium bright, screw stainless steel A2-70.

Sample order:

K0611.00504

Note:

One-piece shaft collars with an inner slit surround the shaft with an equal distribution of the clamping force. This leads to a very precise fit and high retaining force without damaging the shaft.

The shaft tolerance should lie within h11.

The shaft collars made of A4 stainless steel have a small centre point mark on the OD.

Temperature range:

-40 °C to +175 °C.

On request:

Other dimensions.

One-piece shaft collars

slitted inside



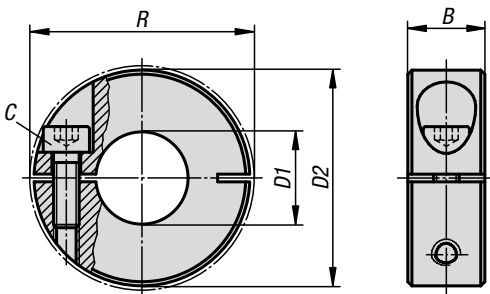
KIPP One-piece shaft collar, slitted inside

Order No. steel	Order No. aluminium	B	C (DIN 912)	D1	D2	R
K0611.00401	K0611.00403	9	M3x8	4	16	20,7
K0611.00501	K0611.00503	9	M3x8	5	16	20,7
K0611.00601	K0611.00603	9	M3x8	6	16	20,7
K0611.00801	K0611.00803	9	M3x8	8	18	22,4
K0611.01001	K0611.01003	9	M3x10	10	24	26
K0611.01201	K0611.01203	11	M4x12	12	28	31,8
K0611.01501	K0611.01503	13	M5x16	15	34	39,4
K0611.01601	K0611.01603	13	M5x16	16	34	39,4
K0611.01801	K0611.01803	13	M5x16	18	36	41,1
K0611.02001	K0611.02003	15	M6x18	20	40	46,4
K0611.02201	K0611.02203	15	M6x18	22	42	48,1
K0611.02501	K0611.02503	15	M6x18	25	45	50,8
K0611.02801	K0611.02803	15	M6x18	28	48	53,7
K0611.03001	K0611.03003	15	M6x18	30	54	58,6
K0611.04001	K0611.04003	15	M6x18	40	60	65
K0611.05001	K0611.05003	19	M8x25	50	78	87

Order No. stainless steel	Order No. stainless steel A4	B	C (DIN 912)	D1	D2	R
K0611.00402	K0611.00404	9	M3x8	4	16	20,7
K0611.00502	K0611.00504	9	M3x8	5	16	20,7
K0611.00602	K0611.00604	9	M3x8	6	16	20,7
K0611.00802	K0611.00804	9	M3x8	8	18	22,4
K0611.01002	K0611.01004	9	M3x10	10	24	26
K0611.01202	K0611.01204	11	M4x12	12	28	31,8
K0611.01502	K0611.01504	13	M5x16	15	34	39,4
K0611.01602	K0611.01604	13	M5x16	16	34	39,4
K0611.01802	K0611.01804	13	M5x16	18	36	41,1
K0611.02002	K0611.02004	15	M6x18	20	40	46,4
K0611.02202	K0611.02204	15	M6x18	22	42	48,1
K0611.02502	K0611.02504	15	M6x18	25	45	50,8
K0611.02802	K0611.02804	15	M6x18	28	48	53,7
K0611.03002	K0611.03004	15	M6x18	30	54	58,6
K0611.04002	K0611.04004	15	M6x18	40	60	65
K0611.05002	K0611.05004	19	M8x25	50	78	87

One-piece shaft collars

slitted outside



Material:

Steel.
Stainless steel 1.4305.
Stainless steel 1.4404.
Aluminium.

Version:

Steel black oxidised, screw steel 12.9.
Stainless steel bright, screw stainless steel A2-70.
Stainless steel bright, screw stainless steel A4-70.
Aluminium bright, screw stainless steel A2-70.

Sample order:

K0611.100504

Note:

One-piece shaft collars with an outer slit surround the shaft with an equal distribution of the clamping force. This leads to a very precise fit and high retaining force without damaging the shaft.

The shaft tolerance should lie within h11.

Due to the slit being on the outside of the shaft collar, up to 15% higher clamping forces can be achieved than with the version with slit on the inside. The bore remains cylindrical, thus precisely enclosing the shaft. Less imbalance.

The shaft collars made of A4 stainless steel have a small centre point mark on the OD.

Temperature range:

-40 °C to +175 °C.

On request:

Other dimensions.

One-piece shaft collars

slitted outside



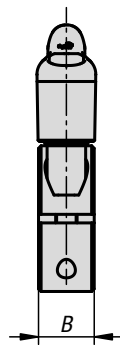
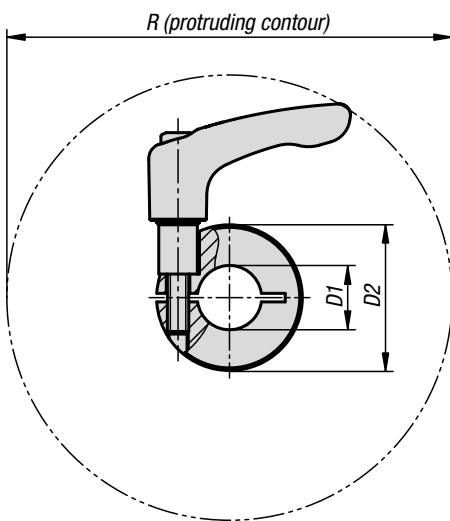
KIPP One-piece shaft collar, slitted outside

Order No. steel	Order No. aluminium	B	C (DIN 912)	D1	D2	R
K0611.100401	K0611.100403	9	M3x8	4	16	20,7
K0611.100501	K0611.100503	9	M3x8	5	16	20,7
K0611.100601	K0611.100603	9	M3x8	6	16	20,7
K0611.100801	K0611.100803	9	M3x8	8	18	22,4
K0611.101001	K0611.101003	9	M3x10	10	24	26
K0611.101201	K0611.101203	11	M4x12	12	28	31,8
K0611.101501	K0611.101503	13	M5x16	15	34	39,4
K0611.101601	K0611.101603	13	M5x16	16	34	39,4
K0611.101801	K0611.101803	13	M5x16	18	36	41,1
K0611.102001	K0611.102003	15	M6x18	20	40	46,4
K0611.102201	K0611.102203	15	M6x18	22	42	48,1
K0611.102501	K0611.102503	15	M6x18	25	45	50,8
K0611.102801	K0611.102803	15	M6x18	28	48	53,7
K0611.103001	K0611.103003	15	M6x18	30	54	58,6
K0611.104001	K0611.104003	15	M6x18	40	60	65
K0611.105001	K0611.105003	19	M8x25	50	78	87

Order No. stainless steel 1.4305	Order No. stainless steel A4	B	C (DIN 912)	D1	D2	R
K0611.100402	K0611.100404	9	M3x8	4	16	20,7
K0611.100502	K0611.100504	9	M3x8	5	16	20,7
K0611.100602	K0611.100604	9	M3x8	6	16	20,7
K0611.100802	K0611.100804	9	M3x8	8	18	22,4
K0611.101002	K0611.101004	9	M3x10	10	24	26
K0611.101202	K0611.101204	11	M4x12	12	28	31,8
K0611.101502	K0611.101504	13	M5x16	15	34	39,4
K0611.101602	K0611.101604	13	M5x16	16	34	39,4
K0611.101802	K0611.101804	13	M5x16	18	36	41,1
K0611.102002	K0611.102004	15	M6x18	20	40	46,4
K0611.102202	K0611.102204	15	M6x18	22	42	48,1
K0611.102502	K0611.102504	15	M6x18	25	45	50,8
K0611.102802	K0611.102804	15	M6x18	28	48	53,7
K0611.103002	K0611.103004	15	M6x18	30	54	58,6
K0611.104002	K0611.104004	15	M6x18	40	60	65
K0611.105002	K0611.105004	19	M8x25	50	78	87

Shaft collars

one-piece, with clamping lever



Material:

Steel 1.0718.
Stainless steel 1.4305.

Version:

Steel black oxidised.
Stainless steel bright.
Insert stainless-steel.

Sample order:

K0611.11001

Note:

One-piece shaft collars surround the shaft with an equal distribution of the clamping force. This leads to a very precise fit and high retaining force without damaging the shaft.

The shaft tolerance should lie within h11.

On request:

Other dimensions.

KIPP Shaft collars, one-piece, with clamping lever

Order No. steel	Order No. stainless steel	B	D1	D2	R
K0611.11001	K0611.11002	9	10	24	44,1
K0611.11201	K0611.11202	11	12	28	90,4
K0611.11501	K0611.11502	13	15	34	105
K0611.11601	K0611.11602	13	16	34	105
K0611.11801	K0611.11802	13	18	36	105,7
K0611.12001	K0611.12002	15	20	40	103,8
K0611.12201	K0611.12202	15	22	42	104,2
K0611.12501	K0611.12502	15	25	45	104,8
K0611.12801	K0611.12802	15	28	48	106,8
K0611.13001	K0611.13002	15	30	54	112,6
K0611.14001	K0611.14002	15	40	60	113,2
K0611.15001	K0611.15002	19	50	78	150,2