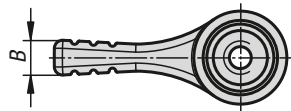
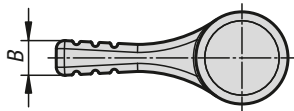
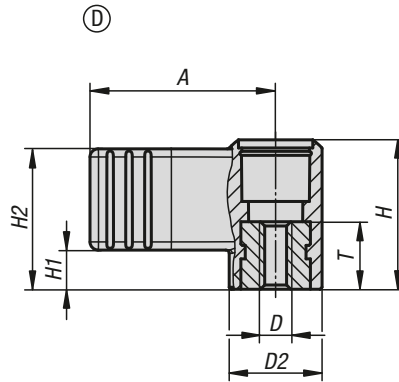
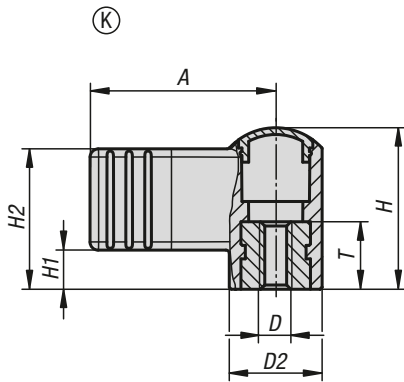


Wing grips one-sided



Material:
Thermoplastic.
Bush steel 5.8 or stainless steel 1.4305.

Version:
Grip black grey.
Bush trivalent blue passivated steel or bright stainless steel.

Sample order:
K0608.09046 (Bush M4 stainless steel, cap traffic red.)

Note:
Δ Add the desired cap colour here.
No colour code is required for black grey caps.

Drawing reference:
Form K with cap.
Form D without cap.



KIPP Wing grips, one-sided without cap

Order No. steel	Order No. stainless steel	Form	A	B	D	D2	H	H1	H2	T
K0608.1904	K0608.10904	D	22	4,4	M4	12	16,1	4,5	15,5	10
K0608.1905	K0608.10905	D	22	4,4	M5	12	16,1	4,5	15,5	10
K0608.1906	K0608.10906	D	22	4,4	M6	12	16,1	4,5	15,5	10
K0608.1105	K0608.10105	D	27,5	5,1	M5	14	22,1	5,8	20,8	10
K0608.1106	K0608.10106	D	27,5	5,1	M6	14	22,1	5,8	20,8	10
K0608.1208	K0608.10208	D	37,5	6,3	M8	21	33,3	8,5	30,5	14
K0608.1210	K0608.10210	D	37,5	6,3	M10	21	33,3	8,5	30,5	14

KIPP Wing grips, one-sided with cap

Order No. steel	Order No. stainless steel	Form	D	D2	A	B	H	H1	H2	T
K0608.904Δ	K0608.0904Δ	K	M4	12	22	4,4	18	4,5	15,5	10
K0608.905Δ	K0608.0905Δ	K	M5	12	22	4,4	18	4,5	15,5	10
K0608.906Δ	K0608.0906Δ	K	M6	12	22	4,4	18	4,5	15,5	10
K0608.105Δ	K0608.0105Δ	K	M5	14	27,5	5,1	24	5,8	20,8	10
K0608.106Δ	K0608.0106Δ	K	M6	14	27,5	5,1	24	5,8	20,8	10
K0608.208Δ	K0608.0208Δ	K	M8	21	37,5	6,3	36	8,5	30,5	14
K0608.210Δ	K0608.0210Δ	K	M10	21	37,5	6,3	36	8,5	30,5	14