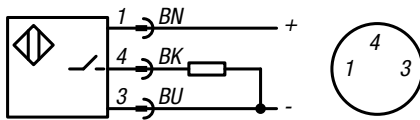
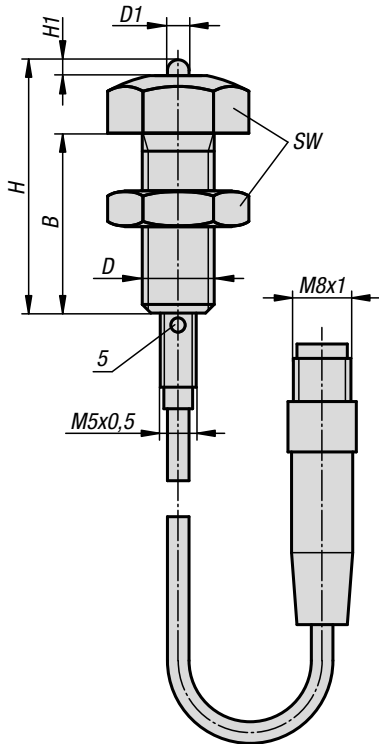


## Stops

adjustable, with end position feedback



### Material:

Screw and plunger stainless steel 1.4301.  
Guide bush stainless steel 1.4112.  
Sensor housing stainless steel.

### Version:

Screw and plunger, bright.  
Guide bushing, bright.  
Sensor housing, bright.  
Inductive sensor:  
Relay (NO)  
Operating voltage 10 - 30 V DC  
Operating current 100 mA  
Switching distance 0.8 mm  
Protection class: IP 67  
Connection type: 0.3 m PUR cable with connector plug  
Temperature range: -25°C - +70°C  
Approval: CE, c-UL-us

### Sample order:

K0581.080352

### Note:

The ensured sensing distance is achieved if the plunger is actuated flush up to the stop surface of the guide bush. The sensor is supplied unassembled.

Installation recommendation: glue in with Loctite 638.

Caution: screw sensor in until it comes to a stop.

### Safety:

End position feedback stops are not suitable for personal protection.

### Drawing reference:

5) LED-indicator

BN = brown  
BK = black  
BU = blue

## KIPP Stops, adjustable, with end position feedback

Order No.	Size	B	D	D1	H	H1	SW
K0581.080352	1	25	M8	3	35,2	2	13
K0581.100352	2	25	M10	3	35,2	2	17
K0581.120352	3	25	M12	3	35,2	2	19