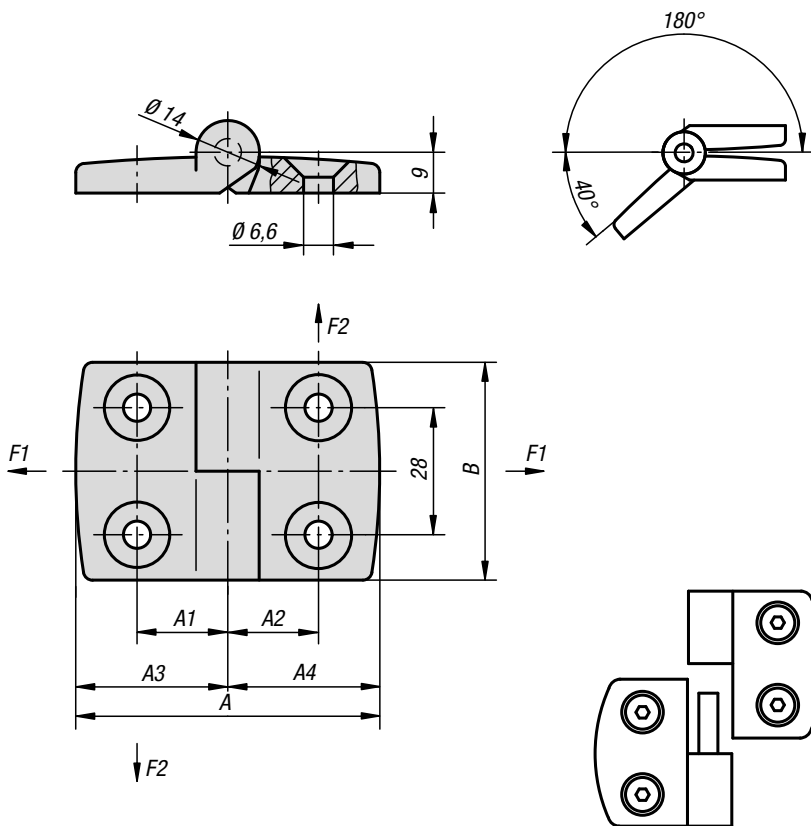


Hinges

aluminium, lift-off, left



Material:

Die-cast aluminium.
Hinge pin stainless steel.

Version:

Hinge matt nickel plated and chromed.
Axle bright.

Sample order:

K0579.1251515

Note:

Hinges for panel elements and aluminium profiles.
The hinges can be fitted with plastic caps on the hinge pin.

The loading values given for the hinges are non-binding reference values without consideration of safety factors and exclude any liability. The values given are for information purposes only and do not constitute a legally binding assurance of properties.

The load values have been determined under laboratory conditions. Each user must determine individually whether the hinge is suitable for the respective application.

Different materials onto which the hinges are installed and the type of mounting, weather conditions and wear can influence the determined values.

On request:

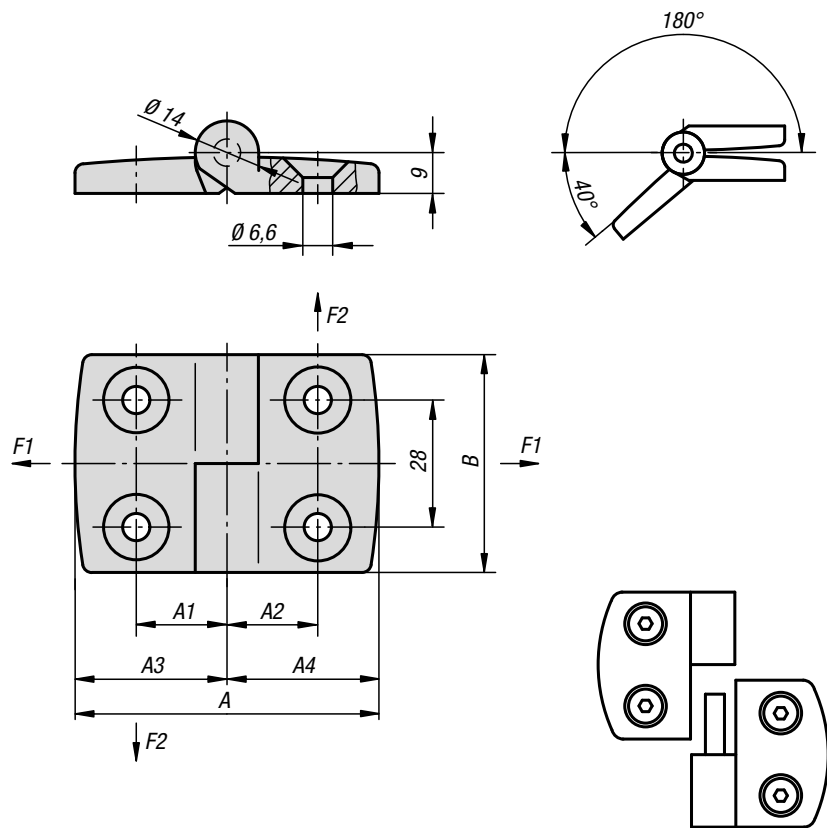
Hinges with guide tabs for aluminium profiles (slots 5, 6, 8, 10, 12 and 14).
Unequal leaf combinations.

KIPP Hinges aluminium, lift-off, left

Order No.	A	A1	A2	A3	A4	B	F1 N	F2 N
K0579.1251515	52	15	15	26	26	48	410	250
K0579.1301818	59	17,5	17,5	29,5	29,5	48	450	280
K0579.1352020	72	20	20	36	36	48	500	250
K0579.1402323	77	22,5	22,5	38,5	38,5	48	550	200
K0579.1452525	87	25	25	43,5	43,5	48	550	200
K0579.1502828	97	27,5	27,5	48,5	48,5	48	550	175
K0579.1603333	115	32,5	32,5	57,5	57,5	48	575	150

Hinges

aluminium, lift-off, right



Material:

Die-cast aluminium.
Hinge pin stainless steel.

Version:

Hinge matt nickel plated and chromed.
Axle bright.

Sample order:

K0579.2251515

Note:

Hinges for panel elements and aluminium profiles.
The hinges can be fitted with plastic caps on the hinge pin.

The loading values given for the hinges are non-binding reference values without consideration of safety factors and exclude any liability. The values given are for information purposes only and do not constitute a legally binding assurance of properties.

The load values have been determined under laboratory conditions. Each user must determine individually whether the hinge is suitable for the respective application.

Different materials onto which the hinges are installed and the type of mounting, weather conditions and wear can influence the determined values.

On request:

Hinges with guide tabs for aluminium profiles (slots 5, 6, 8, 10, 12 and 14).
Unequal leaf combinations.

KIPP Hinges aluminium, lift-off, right

Order No.	A	A1	A2	A3	A4	B	F1 N	F2 N
K0579.2251515	52	15	15	26	26	48	410	250
K0579.2301818	59	17,5	17,5	29,5	29,5	48	450	280
K0579.2352020	72	20	20	36	36	48	500	250
K0579.2402323	77	22,5	22,5	38,5	38,5	48	550	200
K0579.2452525	87	25	25	43,5	43,5	48	550	200
K0579.2502828	97	27,5	27,5	48,5	48,5	48	550	175
K0579.2603333	115	32,5	32,5	57,5	57,5	48	575	150