

# Rubber buffers

parabolic



**Material:**

Metal parts steel, grade 5.6.

Elastomer natural rubber, medium hardness, Shore 55A.

**Version:**

Steel electro zinc-plated.

**Sample order:**

K0574.02002455

**Note:**

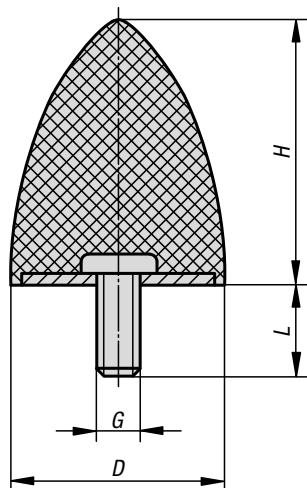
Rubber buffers are robust and effective elastic cushioning elements and shock absorbers. These buffers are ideal for elastic travel limitation and cushioning knocks by mobile and immobile aggregates and machines and as use as door stops.

**Temperature range:**

-30 °C to +80 °C

**On request:**

Other Shore grades.



## KIPP Rubber buffers, parabolic

Order No.	D	H	G	L	Spring stiffness N/mm	Load N
K0574.02002455	20	24	M6	18	14	500
K0574.03003655	30	36	M8	20	15	750
K0574.03504055	35	40	M8	23	16	1750
K0574.05005855	50	58	M10	28	30	3000
K0574.05006755	50	67	M8	38	30	3200
K0574.07508955	75	89	M12	37	50	8000