

Rubber buffers

steel or stainless steel, type C



Material:

Metal parts steel grade 5.6 or stainless steel.
Elastomer natural rubber, medium hardness, Shore 55A.

Version:

Steel electro zinc-plated.
Stainless steel bright.

Sample order:

K0569.01001055

Note:

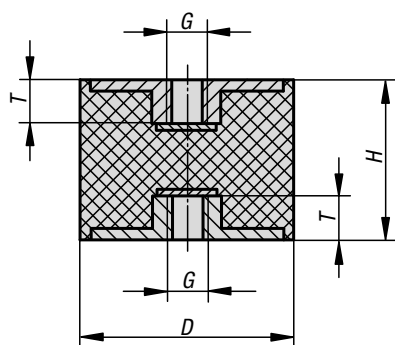
The rubber buffers are widely-used construction elements for elastic mounting. They are used, among other things, as mountings for aggregates, motors, compressors, pumps and testing machinery.

Temperature range:

-30 °C to +80 °C

On request:

Other Shore grades.



KIPP Rubber buffers, steel or stainless steel, type C

Order No.	Main material	D	H	G	T	Spring stiffness N/mm	Load N
K0569.01001055	steel	10	10	M4	4	100	50
K0569.01001555	steel	10	15	M4	4	50	50
K0569.01501555	steel	15	15	M4	4	100	100
K0569.02002055	steel	20	20	M6	6	230	276
K0569.02002555	steel	20	25	M6	6	120	180
K0569.02502055	steel	25	20	M6	6	230	276
K0569.02502555	steel	25	25	M6	6	110	165
K0569.02503055	steel	25	30	M6	6	80	160
K0569.03002055	steel	30	20	M8	8	425	637
K0569.03003055	steel	30	30	M8	8	175	350
K0569.03004055	steel	30	40	M8	8	133	400
K0569.04003055	steel	40	30	M8	8	530	1060
K0569.04004055	steel	40	40	M8	8	222	666
K0569.05003055	steel	50	30	M10	10	680	1360
K0569.05004055	steel	50	40	M10	10	333	1000
K0569.05005055	steel	50	50	M10	10	190	665
K0569.07504055	steel	75	40	M12	12	750	2250
K0569.07505055	steel	75	50	M12	12	636	2225
K0569.010010551	stainless steel	10	10	M4	4	100	50
K0569.015015551	stainless steel	15	15	M4	4	100	100
K0569.020020551	stainless steel	20	20	M6	6	230	276
K0569.025025551	stainless steel	25	25	M6	6	110	165
K0569.030020551	stainless steel	30	20	M8	8	425	637
K0569.030030551	stainless steel	30	30	M8	8	175	350
K0569.040030551	stainless steel	40	30	M8	8	530	1060