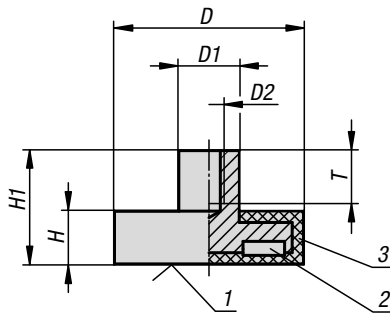


Magnets shallow pot with tapped pin

NdFeB, with rubber protective jacket



Material:

Housing, steel.
Magnetic core NdFeB (neodym).
Protective rubber jacket, synthetic rubber.

Version:

Housing, electro zinc-plated.
Black protective rubber jacket.

Sample order:

K0563.01

Note:

Shallow pot magnets with tapped pin, shielded system.
With rubber protective jacket for protecting sensitive surfaces. The coefficient of friction is increased by the rubber jacket so that high lateral friction is achieved.

Temperature range:

max. 60°C.

Drawing reference:

- 1) magnetic face
- 2) magnet
- 3) rubber



KIPP Magnets shallow pot with tapped pin NdFeB, with rubber protective jacket

Order No.	D	D1	D2	H	H1	T	Magnetic force N
K0563.01	12	8	M4	7	14,8	6	10
K0563.07	18	8	M4	6	11,5	6	37
K0563.02	22	8	M4	6	11,5	6	50
K0563.03	31	8	M4	6	11,5	5	75
K0563.04	43	8	M4	6	10,5	5	85
K0563.05	66	10	M5	8,2	15	8	180
K0563.06	88	12	M8	8,2	17	11	420