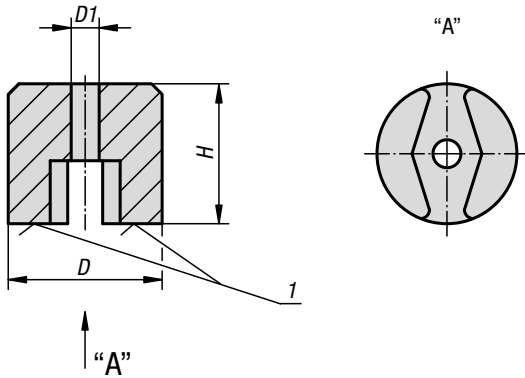


Magnets button



Material:
Magnetic core AlNiCo.

Version:
painted red.

Sample order:
K0559.01

Note:
Split attractive surface with through hole. Non-shielded system. Button magnets are used in laboratories, inspection rooms and for holding metal objects.

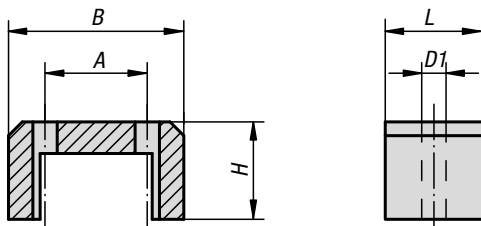
Temperature range:
max. 450°C.

Drawing reference:
1) magnetic face

KIPP Magnets button

Order No.	D	D1	H	Magnetic force N
K0559.01	13	4,5	10	7
K0559.02	19	5,1	13	19
K0559.03	25	5,1	16	29
K0559.04	32	7	25	66

Magnets strong



Material:
Magnetic core AlNiCo.

Version:
painted red.

Sample order:
K0560.01

Note:
Horseshoe magnets with high attractive force. Non-shielded system. The magnets are supplied with an electro zinc-plated protective plate and are used for holding, sorting and lifting. Sizes 1, 2 and 3 have only one attachment hole in the centre.

Temperature range:
max. 450°C.

KIPP Magnets strong

Order No.	Size	A	B	D1	H	L	Magnetic force N
K0560.01	1	-	30	5	20	20	45
K0560.02	2	-	40	5	25	25	90
K0560.03	3	-	45	5	30	29	120
K0560.04	4	32	57	8	35	45	230
K0560.05	5	38	70	8	41	57	320