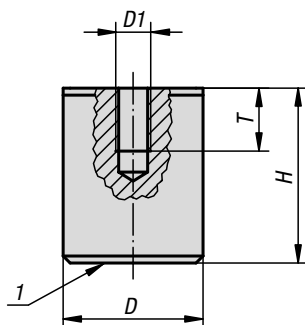


Magnets deep pot



Material:
Housing, steel.
Magnetic core AlNiCo.

Version:
Housing painted red.

Sample order:
K0557.01

Note:
Hard magnet in aluminium housing and steel jacket. Shielded system. Pot magnets are used for retaining, lifting and mounting in fixtures. Due to the painted surface, the diameter D can be up to +0.8 mm.

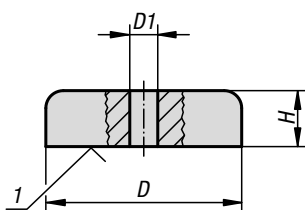
Temperature range:
max. 450°C.

Drawing reference:
1) magnetic face

KIPP Magnets deep pot

Order No.	D	D1	H	T	Magnetic force N
K0557.01	17	M6	16	4	18
K0557.02	21	M6	19	5	28
K0557.03	27	M6	25	6	65
K0557.04	35	M6	30	9	115
K0557.05	65	M12	43	13	400

Magnets shallow pot



Material:
Housing, steel.
Magnetic core AlNiCo.

Version:
Housing painted red.

Sample order:
K0558.01

Note:
Shielded system. Shallow pot magnets are used in fixtures with minimal space.

Temperature range:
max. 450°C.

On request:
Other colours.

Drawing reference:
1) magnetic face

KIPP Magnets shallow pot

Order No.	D	D1	H	Magnetic force N
K0558.01	19	3,5	8	30
K0558.02	29	5	9	55
K0558.03	38	5	10,5	95