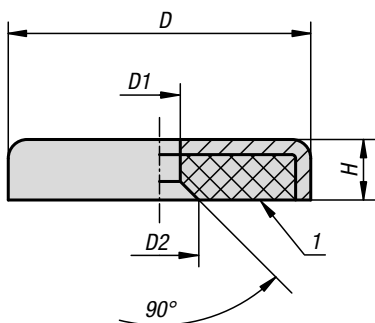


Magnets shallow pot with countersink

hard ferrite



Material:
Housing, steel.
Magnetic core hard ferrite.

Version:
Housing, electro zinc-plated.

Sample order:
K0555.01

Note:
Shielded system.

Temperature range:
max. 200°C.

Drawing reference:
1) magnetic face

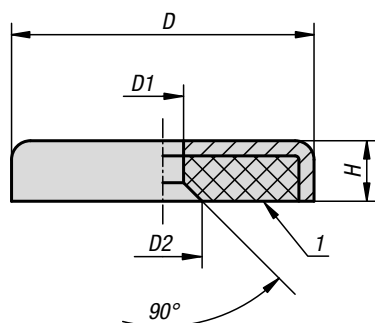
KIPP Magnets shallow pot with countersink hard ferrite

Order No.	D	D1	D2	H	Magnetic force N
K0555.01	16 ±0,15	3,3±0,2	7	4,5	14
K0555.02	20 ±0,15	4,2±0,2	9	6	27
K0555.03	25 ±0,15	5,5±0,2	11	7	36
K0555.04	32 ±0,20	5,5±0,2	11	7	72
K0555.05	40 ±0,20	5,5±0,2	11	8	90

K1408

Magnets shallow pot with countersink

hard ferrite with stainless-steel housing



Material:
Housing stainless steel 1.4016.
Magnetic core hard ferrite.

Version:
Bright.

Sample order:
K1408.120

Note:
Shielded system.

Temperature range:
max. 220°C.

Drawing reference:
1) magnetic face

KIPP Magnets shallow pot with countersink, hard ferrite with stainless-steel housing

Order No.	D	D1	D2	H	Magnetic force N
K1408.120	20±0,15	4,2	9	6	22
K1408.125	25±0,15	5,5	11	7	29
K1408.132	32±0,15	5,5	11	7	58
K1408.140	40±0,2	5,5	12,5	8	72