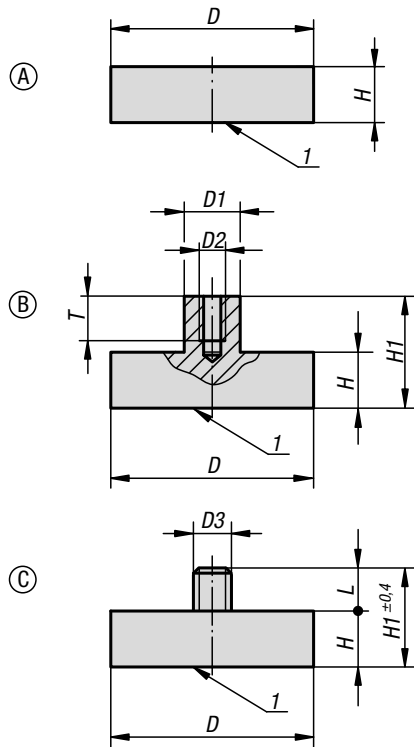


## Magnets shallow pot

NdFeB



**Material:**  
Housing, steel.  
Magnetic core NdFeB.

**Version:**  
Housing, electro zinc-plated.

**Sample order:**  
K0553.01

**Note:**  
Shielded system. With the permanent magnetic material NdFeB the attractive force increases by ca. 10-20 % compared with SmCo.

**Temperature range:**  
max. 80°C.

**Drawing reference:**  
1) magnetic face

### KIPP Magnets shallow pot NdFeB

Order No.	Form	D	D1	D2	D3	H	H1	L	T	Magnetic force N
K0553.01	A	6 ±0,15	-	-	-	4,5	-	-	-	5
K0553.02	A	8 ±0,15	-	-	-	4,5	-	-	-	13
K0553.03	A	10 ±0,15	-	-	-	4,5	-	-	-	25
K0553.04	A	13 ±0,15	-	-	-	4,5	-	-	-	60
K0553.05	A	16 ±0,15	-	-	-	4,5	-	-	-	95
K0553.06	A	20 ±0,15	-	-	-	6	-	-	-	140
K0553.07	A	25 ±0,15	-	-	-	7	-	-	-	200
K0553.08	A	32 ±0,20	-	-	-	7	-	-	-	350
K0553.11	B	6 ±0,15	6	M3	-	4,5	11,5	-	6	5
K0553.12	B	8 ±0,15	6	M3	-	4,5	11,5	-	7	13
K0553.13	B	10 ±0,15	6	M3	-	4,5	11,5	-	7	25
K0553.14	B	13 ±0,15	6	M3	-	4,5	11,5	-	6	60
K0553.15	B	16 ±0,15	6	M4	-	4,5	11,5	-	7	95
K0553.16	B	20 ±0,15	8	M4	-	6	13	-	9	140
K0553.17	B	25 ±0,15	8	M4	-	7	14	-	9	200
K0553.18	B	32 ±0,20	10	M5	-	7	15,5	-	10	350
K0553.19	B	40 ±0,2	10	M6	-	8	18	-	13	670
K0553.20	B	47 ±0,2	12	M6	-	9,2	20,5	-	13	750
K0553.21	B	50 ±0,2	15	M8	-	10	22	-	13	1000
K0553.23	C	10 ±0,15	-	-	M3	4,5	11,5	7	-	25
K0553.24	C	13 ±0,15	-	-	M5	4,5	12,5	8	-	60
K0553.25	C	16 ±0,15	-	-	M6	4,5	12,5	8	-	95
K0553.26	C	20 ±0,15	-	-	M6	6	16	10	-	140
K0553.27	C	25 ±0,15	-	-	M6	7	17	10	-	200
K0553.28	C	32 ±0,20	-	-	M6	7	17	10	-	350
K0553.29	C	40 ±0,2	-	-	M8	8	20	12	-	670
K0553.30	C	47 ±0,2	-	-	M8	9,2	22,2	13	-	790