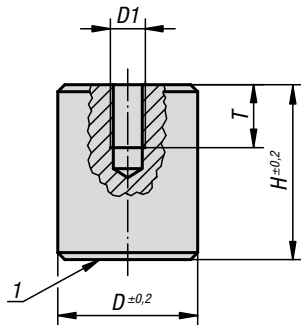


Magnets deep pot with internal thread

NdFeB



Material:

Housing, steel.
Magnetic core NdFeB.

Version:

Housing, electro zinc-plated.

Sample order:

K0552.01

Note:

Shielded system. Deep pot magnets are used for mounting in steel and iron. This requirement is principally stipulated in plant and machine construction.

Can also be used in blind holes.

Size D=50 has 4 magnets Ø18 mm.

Temperature range:

max. 80°C.

Drawing reference:

1) magnetic face



KIPP Magnets deep pot with internal thread NdFeB

Order No.	D	D1	H	T	Can be shortened by (mm)	Magnetic force N
K0552.01	8	M3	12	5	3	12
K0552.02	10	M4	16	7	7	24
K0552.03	13	M4	18	7	3	60
K0552.04	16	M4	20	7	6	90
K0552.05	20	M5	25	9	9	135
K0552.06	25	M6	30	9	10	190
K0552.07	35	M8	40	13	10	300
K0552.08	50	M12	50	13	13	550