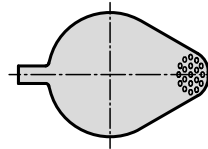
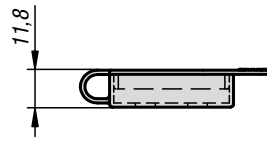
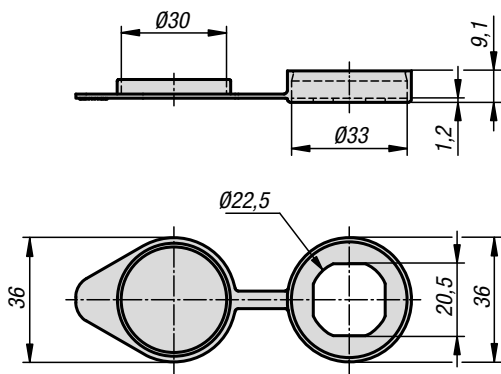


K0533

Dust caps



Material:
Thermoplastic plastic (PU).

Version:
Black.

Sample order:
K0533.202230

Note:
Dust caps for compression latches with a head diameter up to max. 32 mm. It offers increased protection from dust and moisture. If the dust cap is used, dimension "A" of the compression latch is reduced by 1 mm.

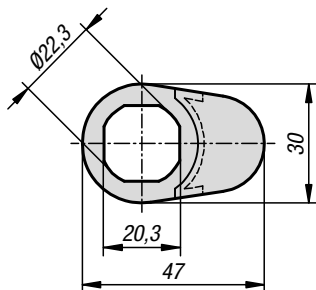
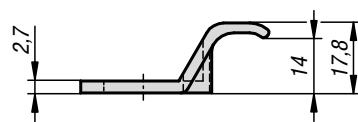
KIPP Dust caps

Order No.

K0533.202230

K0534

Opening grips



Material:
Thermoplastic plastic (PA).

Version:
Black.

Sample order:
K0534.202230

Note:
Practical opening grip for compression latches with a head diameter up to max. 30 mm. If the opening grip is used, dimension "A" of the compression latch is reduced by 2.5 mm.



KIPP Opening grips

Order No.

K0534.202230