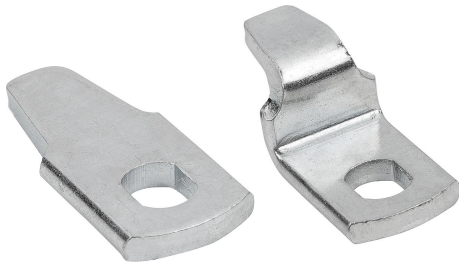


Tongues for compression latches with adjustable tongue gap

Item description/product images

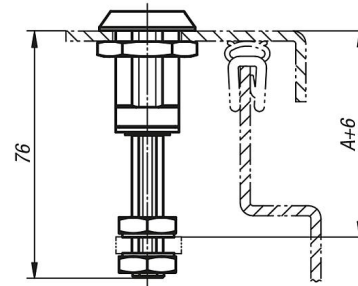
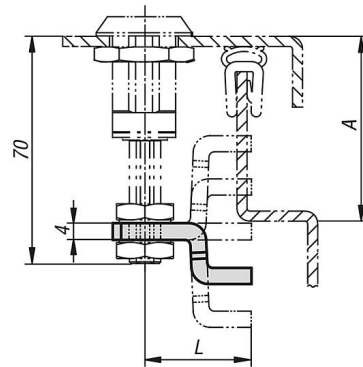
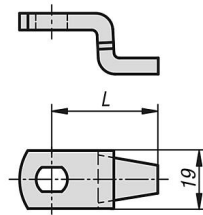


Description

Material:
Steel.

Version:
Electro zinc-plated.

Drawings



Overview of items

Tongues for compression latches with adjustable tongue gap

Order No.	A	L
K0532.1000X590	40-59	33
K0532.1140X730	26-45 / 52-73	33
K0532.1275X860	12-32 / 68-86	33