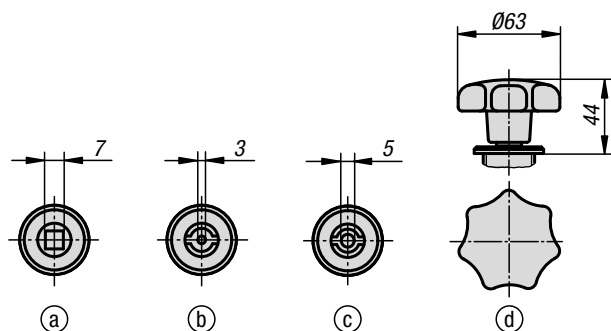
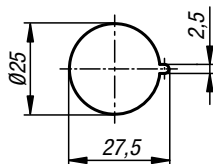
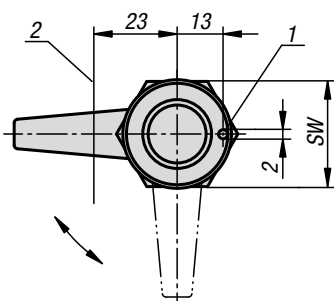
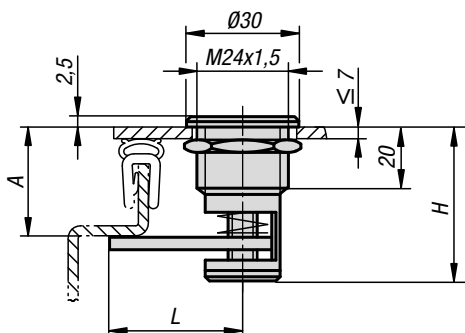


Compression latches

with variable compression



Material:

Compression latch steel.
DIN 6336 star grip thermoset.

Version:

Compression latch trivalent blue passivated.
Star grip black.

Sample order:

Compression latch K0528.1709161

Note:

Compression latches are primarily used for doors and housings that require a high pressure on the seal. Right or left deployment. The locking direction is always clockwise.

Assembly:

Cut a notch in a Ø25 mm hole for the locking pin. Pass the latch through the hole. The tongue must be in the end position and in the centre of the opening before the nut can be slipped on and tightened.

On request:

Water tight A2 stainless steel version rated IP65.

Function:

Turning the actuator 90° brings the tongue into the closed position. Turning the actuator further winds the tongue up the thread and increases the pressure on the frame. To unlock the latch turn the actuator to the left. The tongue moves to the open position and, even doors with sticky seals can be easily opened. The variable compression gap is 7 mm. The frame width range of 9-44 mm is covered by 7 offset tongues (dimension A).

Supplied completely assembled.

Accessories:

Key K0535

Drawing reference:

- 1) locating pin
- 2) frame

Actuation

- a) square 7 mm
- b) double lug 3 mm
- c) double lug 5 mm
- d) star grip

KIPP Compression latches with variable compression

Order No. square 7 mm	Order No. double lug 3 mm	Order No. double lug 5 mm	Order No. star grip	A	L	H	SW
K0528.1709161	K0528.4309161	K0528.4509161	K0528.5009161	9-16	40,5	40	27
K0528.1713201	K0528.4313201	K0528.4513201	K0528.5013201	13 - 20	42,5	40	27
K0528.1717241	K0528.4317241	K0528.4517241	K0528.5017241	17 - 24	44	40	27
K0528.1723301	K0528.4323301	K0528.4523301	K0528.5023301	23 - 30	45	40	27
K0528.1729361	K0528.4329361	K0528.4529361	K0528.5029361	29 - 36	43	40	27
K0528.1733401	K0528.4333401	K0528.4533401	K0528.5033401	33 - 40	40,5	40	27
K0528.1737441	K0528.4337441	K0528.4537441	K0528.5037441	37 - 44	37	40	27