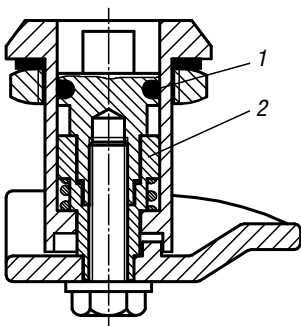
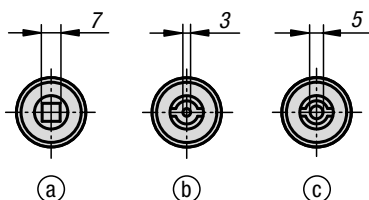
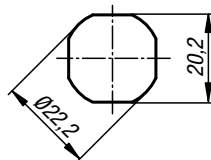
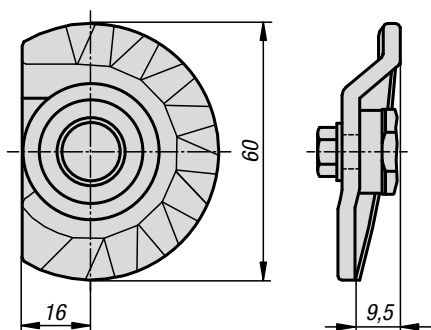
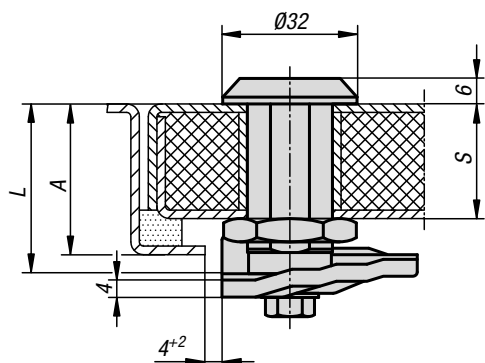


Compression latches

with stepped cam



Material:

Housing, actuator, nut and cam die-cast zinc.
Flat seal rubber.

Version:

Housing, actuator, nut and cam, chrome-plated.

Sample order:

Compression latch K0527.17301

Note:

Compression latches with stepped cam are primarily used for doors and housings that require a high pressure on the seal. Right or left deployment. The locking direction is always clockwise. By turning the actuator to the right the door can be pulled incrementally into the frame by up to 9.5 mm at a maximum rotation of 270°.

The fastening nut is an earthing nut with teeth one side.

Water and dust tight according to IP65.

Accessories:

Key K0535

Drawing reference:

Actuation:

- a) square 7 mm
- b) double lug 3 mm
- c) double lug 5 mm

- 1) O-ring
- 2) Adapter

KIPP Compression latches with stepped cam

Order No. square 7 mm	Order No. double lug 3 mm	Order No. double lug 5 mm	A	L	S max.
K0527.17301	K0527.43301	K0527.45301	30 -9,5	30	20
K0527.17401	K0527.43401	K0527.45401	40 -9,5	40	30
K0527.17501	K0527.43501	K0527.45501	50 -9,5	50	40
K0527.17601	K0527.43601	K0527.45601	60 -9,5	60	50