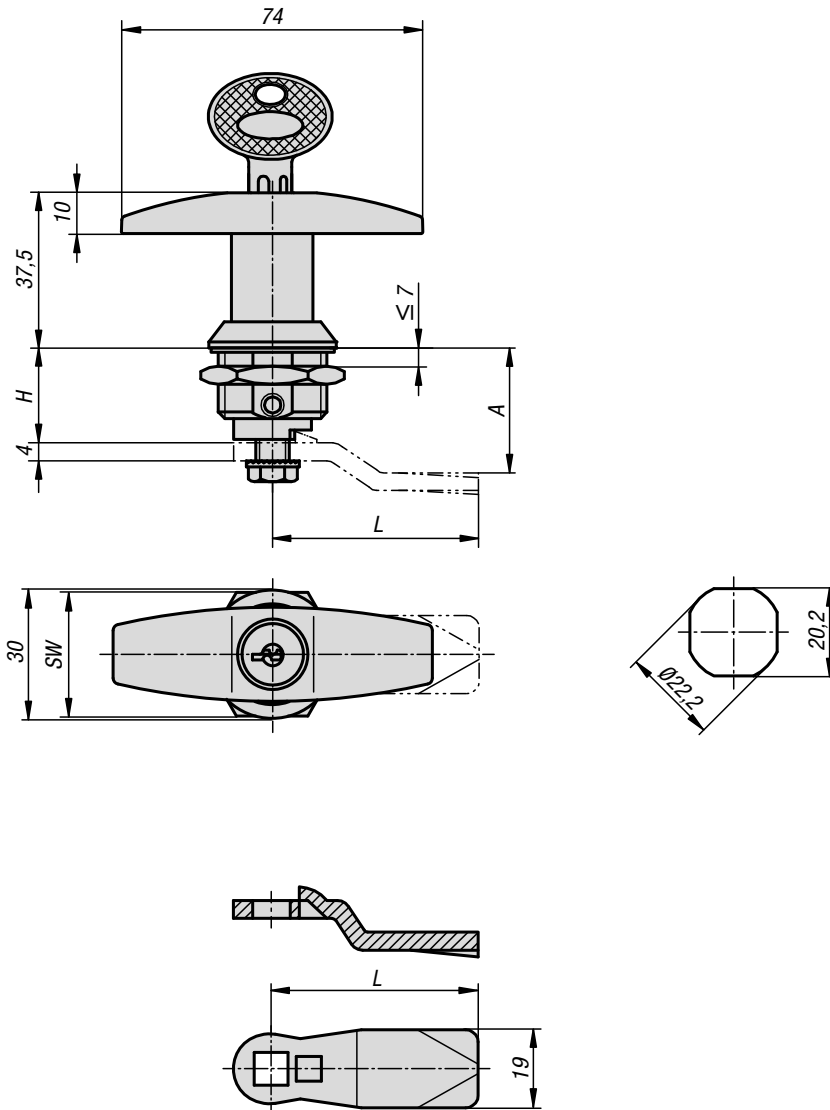


Quarter-turn locks

with T-grip



Material:

Housing and nut die-cast zinc.
T-grip plastic PA6 GF 30.
Flat seal rubber.
Tongue steel.

Version:

Housing and nut trivalent passivated.
T-grip black.
Tongue electro zinc-plated.

Sample order:

Quarter-turn lock K0526.1183
Tongue K0523.145X045
(include tongue gap "A")

Note:

Quarter-turn lock with T-grip. Right or left deployment.
The lock can be installed pre-assembled. The fastening nut is an earthing nut with teeth one side.

Water and dust tight according to IP65.

The cylinder locks are supplied with 2 keys. The key can be removed in both positions (open and closed). All cylinders are identical i.e. all locks can be opened with the same key (Euro key 5333).

Please order the desired tongue type separately. Every tongue can be combined with every housing.

KIPP Quarter-turn lock with T-grip

Order No.	Actuation	H	SW
K0526.1183	T-Grip	18,5	27
K0526.2183	lockable T-grip	18,5	27

KIPP Tongue for quarter-turn locks

Order No.	A	L
K0523.135X	16,5/18,5/20,5/22,5/24,5	35
K0523.145X	4,5/6,5/8,5/10,5/12,5/14,5/16,5/18,5/20,5/21,5/22,5/24,5/26,5/28,5/30,5/32,5/34,5/36,5/38,5/40,5/42,5	45