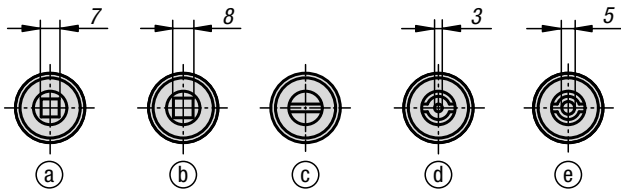
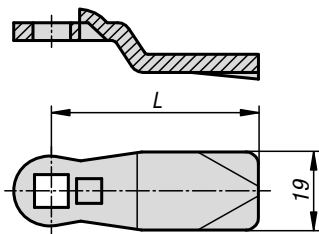
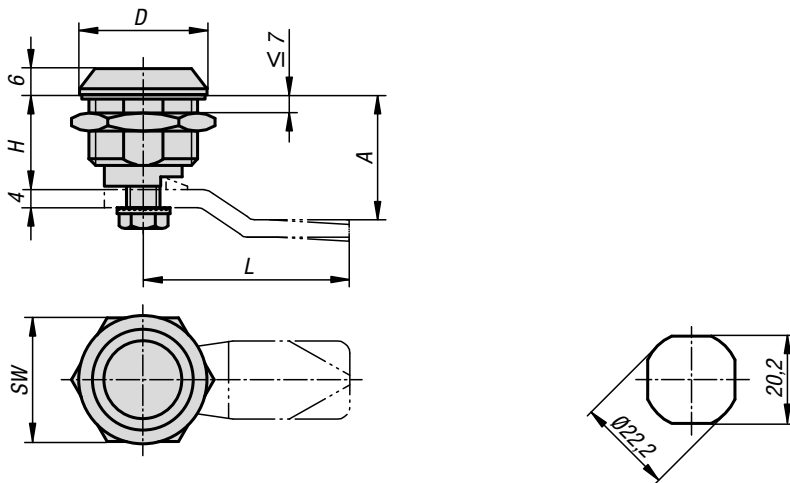


## Quarter-turn locks



**Material:**

Housing, actuator and nut, die-cast zinc or PA6 GFR 30 plastic.  
Flat seal rubber.  
Tongue steel.

**Version:**

Housing, actuator and nut trivalent passivated or black.  
Tongue electro zinc-plated.

**Sample order:**

Quarter-turn lock K0522.17181  
Tongue K0523.145X045  
(include tongue gap "A")

**Note:**

Quarter-turn lock with spring-loaded tongue. Right or left deployment. The lock can be installed pre-assembled. The fastening nut is an earthing nut with teeth one side.

Vibration-proof (except plastic version), a catch prevents independent opening. Water and dust tight according to IP65.

Please order the desired tongue type separately. Every tongue can be combined with every housing.

**Accessories:**

Key K0535

**Drawing reference:**

Actuation:  
a) square 7 mm  
b) square 8 mm  
c) slot  
d) double lug 3 mm  
e) double lug 5 mm

### KIPP Quarter-turn lock

| Order No. zinc | Order No. plastic | D     | Actuation       | SW | H    |
|----------------|-------------------|-------|-----------------|----|------|
| K0522.17181    | -                 | 30    | square 7 mm     | 27 | 18,5 |
| K0522.18181    | -                 | 30    | square 8 mm     | 27 | 18,5 |
| K0522.20181    | K0522.20185       | 30/28 | slot            | 27 | 18,5 |
| K0522.43181    | K0522.43185       | 30/28 | double lug 3 mm | 27 | 18,5 |
| K0522.45181    | K0522.45185       | 30/28 | double lug 5 mm | 27 | 18,5 |

### KIPP Tongue for quarter-turn lock

| Order No.  | A   | L  |
|------------|---|----|
| K0523.135X | 16,5/18,5/20,5/22,5/24,5  | 35 |
| K0523.145X | 4,5/6,5/8,5/10,5/12,5/14,5/16,5/18,5/20,5/21,5/22,5/24,5/26,5/28,5/30,5/32,5/34,5/36,5/38,5/40,5/42,5 | 45 |