

## Quarter-turn locks

with cylinder, small version



**Material:**

Housing and actuator die-cast zinc.  
Tongue steel.  
Key nickel silver.

**Version:**

Housing and actuator trivalent passivated.  
Tongue electro zinc-plated.

**Sample order:**

Quarter turn lock with cylinder K0520.131  
Tongue K0521.128X105

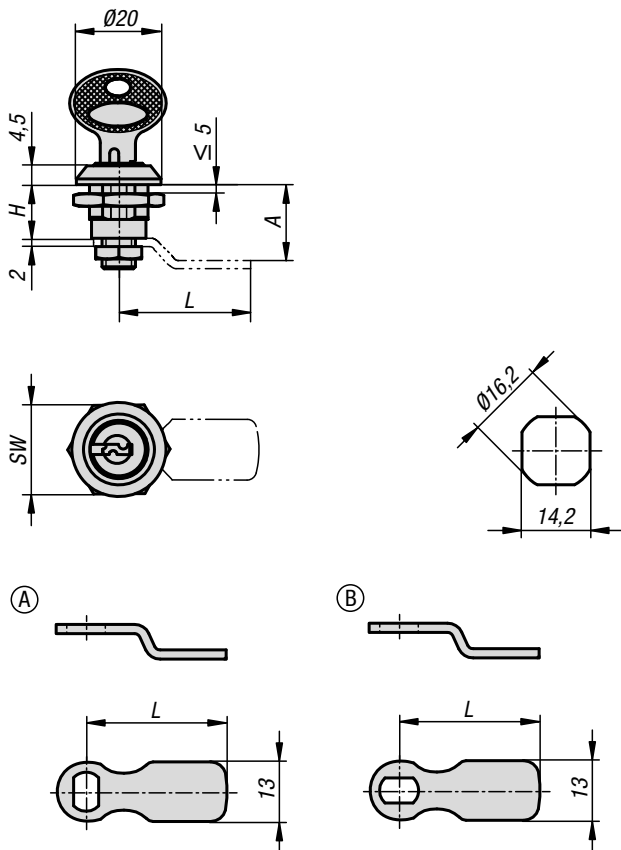
**Note:**

Small quarter turn with cylinder, deployable right or left. The lock can be installed pre-assembled. The fastening nut is an earthing nut with teeth one side. These quarter turns with cylinder are supplied with 2 keys. The key can be removed in both positions (open and closed). All cylinders are identical i.e. all locks can be opened with the same key.

Please order the desired tongue type separately.

**On request:**

Non-identical cylinders.



### KIPP Quarter-turn locks with cylinder, small version

Order No.	Actuation	H	SW
K0520.131	Key single-key system	13	20

### KIPP Tongue for quarter-turn locks

Order No.	Form	A	L
K0521.128X105	A	10	28
K0521.124X135	B	13	24
K0521.131X135	B	13	31
K0521.136X135	B	13	36
K0521.130X165	B	16	30
K0521.126X205	B	20	26