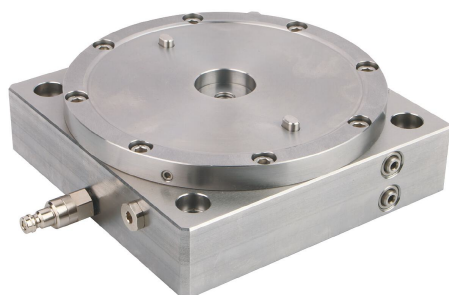
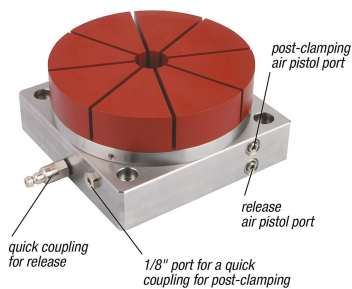
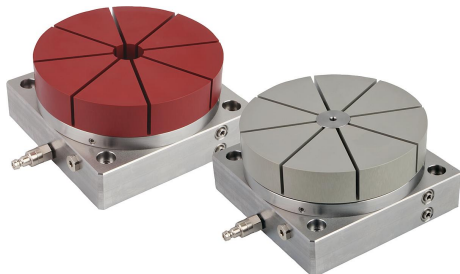


Machinable collet system for grid plates

Item description/product images



System without collet

Description

Material:

Flange plate, pistons and body steel.

Seals NBR.

Screws DIN EN ISO 4762 grade 8.8.

Collet aluminium.

Version:

Flange plate, piston and body rust-resistant, bright.

Screws electro zinc-plated.

Collet red or clear anodised.

Note:

Machinable collet system with base plate for mounting on 50mm pitch grid plates. The flange plate can be used for external or internal clamping collets. The contour of the workpiece to be clamped is machined into the collet. Free-form and asymmetrical contours can be clamped.

The integrated spring package generates a clamping force of 5.8 kN. The clamping force can be raised to 43.5 kN by pneumatic post-clamping. The clamp is released by blowing compressed air onto the lower piston surface pushing the piston upwards and releasing the clamping force on the collet.

Clamping travel 0.2 mm.

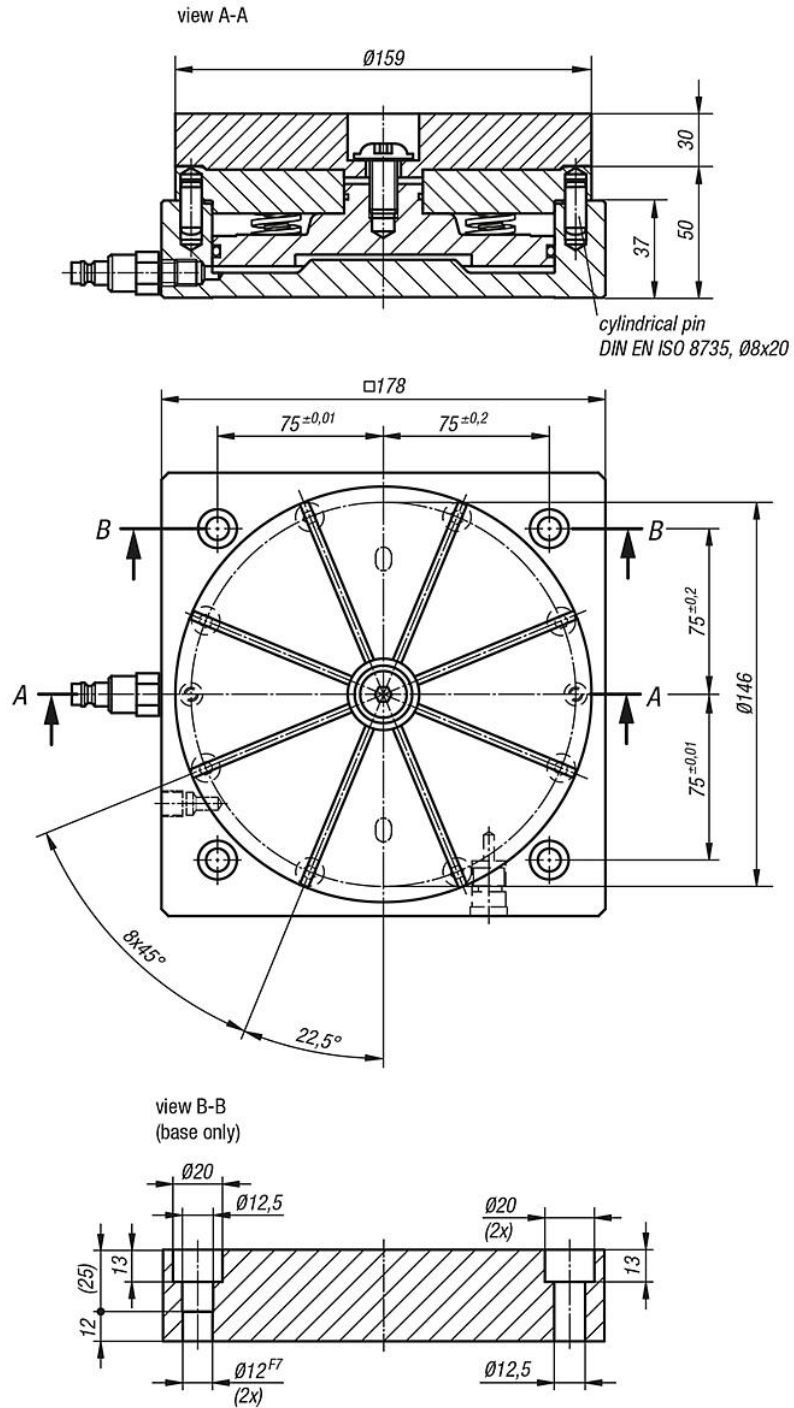
Repeat accuracy < 0.01 mm.

Accessory:

Collet for external or internal clamping K0502

Machinable collet system for grid plates

Drawings



Overview of items

Machinable collet system for grid plates

Order No.	Version 2	Clamping range min. - max.	Milling depth min./max.	Workpiece weight max. (kg)	Associated Fitting screw
K0501.11603050	for external clamping	$\varnothing 30 - \varnothing 140$	1-20	25	K0815.12055
K0501.21603050	for internal clamping	$\varnothing 30 - \varnothing 140$	1-20	25	K0815.12055

