

Linear actuator connector clamps

base



Material:

Cast aluminium.
DIN 7984 screws and DIN 985 nuts, steel.

Version:

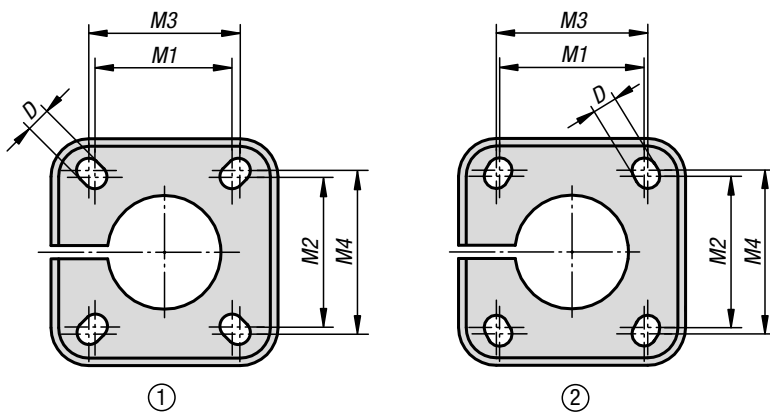
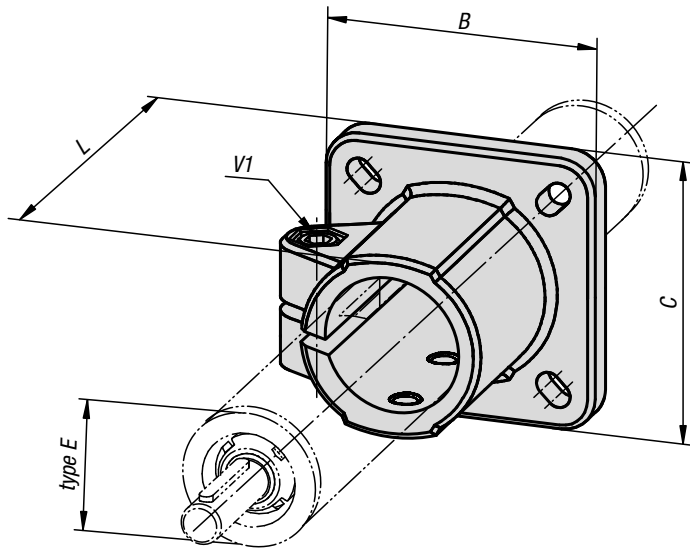
Black powder-coated.
Screws and nuts electro zinc-plated.

Sample order:

K0499.30

On request:

Clamping levers for tightening.



KIPP Linear actuator connector clamps base

Order No.	hole arrangement	Type E	B	C	D	L	M1	M2	M3	M4	V1
K0499.18	1	18	42	42	5,5	37	28	28	30	30	M6x20
K0499.30	2	30	60	60	6,5	50	40	42	42	45	M8x25
K0499.40	1	40	90	90	8,5	70	60	60	64	64	M10x30
K0499.50	1	50	105	105	10,5	85	74	74	80	80	M10x35

Linear actuator connector clamps, stainless steel

base



Material:

Stainless steel, investment cast 1.4308.
Screws, stainless steel A2.

Version:

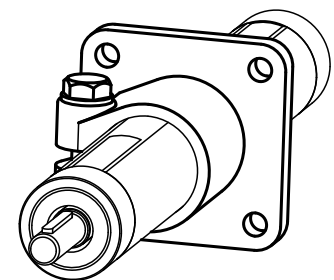
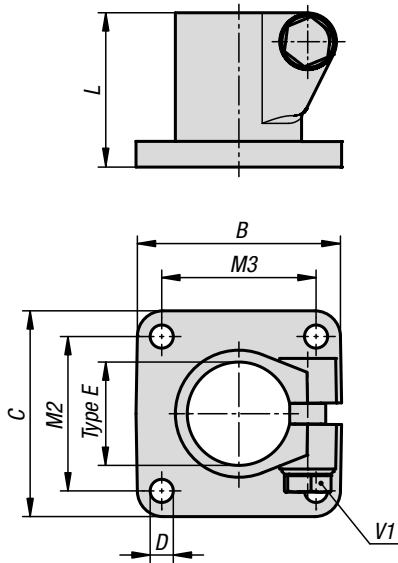
Electropolished.

Sample order:

K0499.130

On request:

Clamping levers for tightening.



KIPP Linear actuator connector clamps, stainless steel, base

Order No.	Type E	B	C	D	L	M2	M3	V1
K0499.130	30	60	60	7	50	40	40	M8x30
K0499.140	40	80	80	9	60	60	60	M10x35