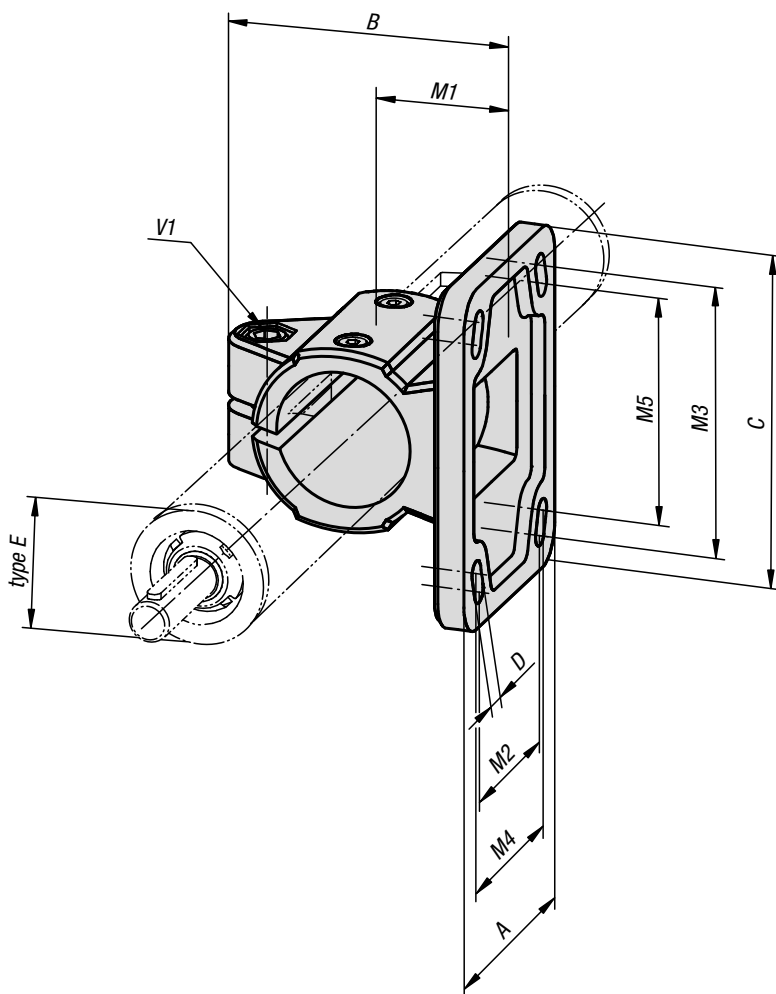


Linear actuator connector clamps

flange



Material:

Cast aluminium.
DIN 7984 screws and DIN 985 nuts, steel.

Version:

Black powder-coated.
Screws and nuts electro zinc-plated.

Sample order:

K0498.50

Note:

* Elongated hole

On request:

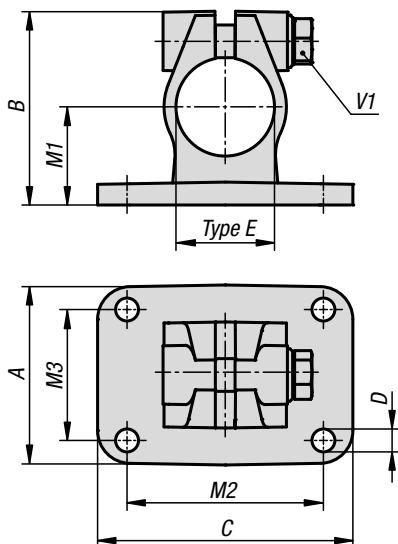
Clamping levers for tightening.

KIPP Linear actuator connector clamps, flange

| Order No. | Type E | A | B | C | D | M1 | M2 | M3 | M4 | M5 | V1 |
|-----------|--------|----|------|-----|------------|----|----|-----|----|----|--------|
| K0498.18 | 18 | 37 | 42,5 | 50 | 5,5 (2x) | 18 | - | 40 | - | - | M6x16 |
| K0498.30 | 30 | 55 | 63 | 78 | 6,5* (2x) | 30 | - | 60 | - | 53 | M8x25 |
| K0498.40 | 40 | 80 | 87 | 105 | 8,5* (4x) | 42 | 52 | 82 | 60 | 80 | M10x30 |
| K0498.50 | 50 | 92 | 100 | 130 | 10,5* (4x) | 50 | 60 | 100 | 62 | 98 | M10x35 |

Linear actuator connector clamps, stainless steel

flange



Material:

Stainless steel, investment cast 1.4308.
Screws, stainless steel A2.

Version:

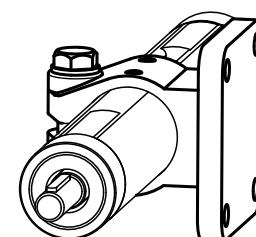
Electropolished.

Sample order:

K0498.130

On request:

Clamping levers for tightening.



KIPP Linear actuator connector clamps, stainless steel, flange

| Order No. | Type E | A | B | C | D | M1 | M2 | M3 | V1 |
|-----------|--------|----|----|----|---|----|----|----|--------|
| K0498.130 | 30 | 55 | 59 | 78 | 7 | 30 | 60 | 40 | M8x30 |
| K0498.140 | 40 | 80 | 80 | 80 | 9 | 42 | 60 | 60 | M10x35 |