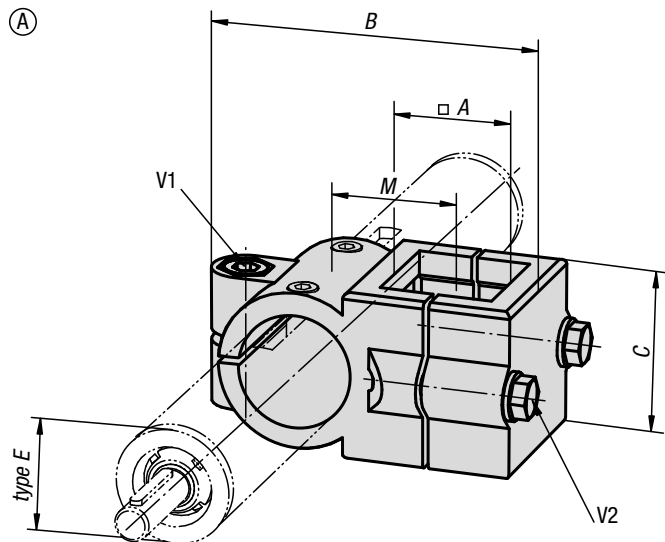


## Linear actuator connector clamps

cross



**Material:**

Cast aluminium.  
Screws and nuts steel.

**Version:**

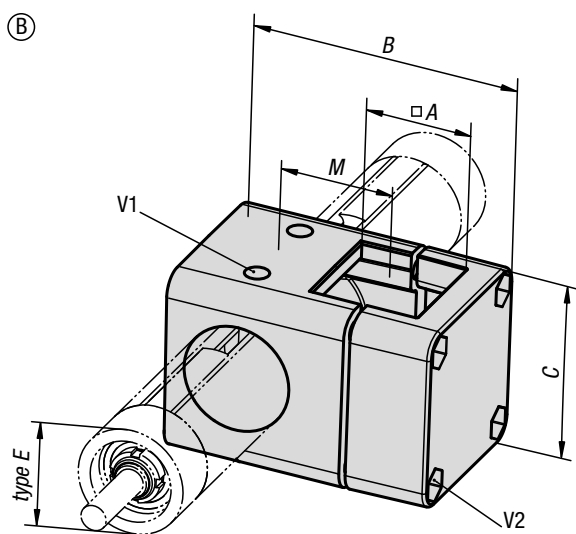
Black powder-coated.  
Clamping screws and nuts electro zinc-plated.

**Sample order:**

K0497.4040

**On request:**

Clamping levers for tightening.



**KIPP Linear actuator connector clamps, cross**

Order No.	Form	Type E	A	B	C	M	V1	V2
K0497.3030	A	30	30	86	45	33	M8x35	M8x35
K0497.4040	A	40	40	117	60	47	M10x50	M8x45
K0497.5050	B	50	50	126	86	53	M8x50	M8x50