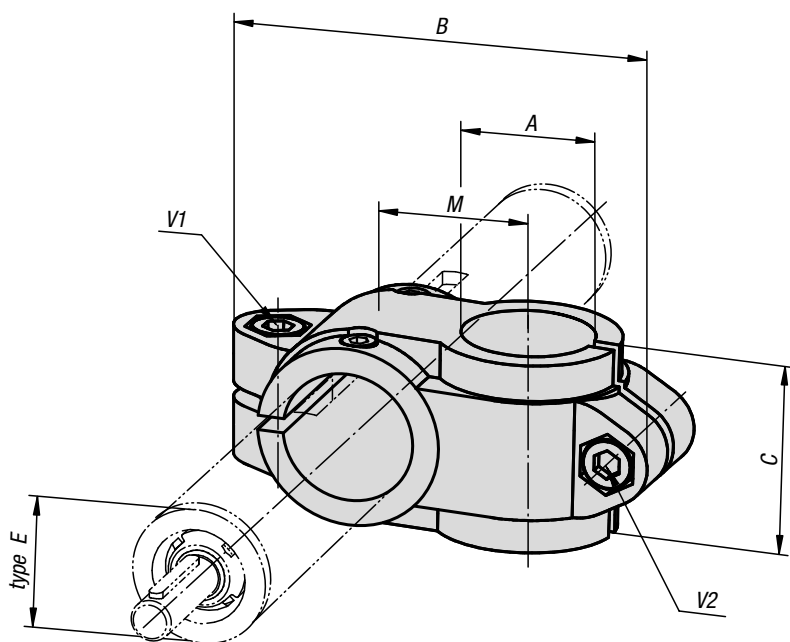


## Linear actuator connector clamps

cross



**Material:**

Cast aluminium.  
DIN 7984 screws and DIN 985 nuts, steel.

**Version:**

Black powder-coated.  
Screws and nuts electro zinc-plated.

**Sample order:**

K0496.1818

**On request:**

Clamping levers for tightening.



**KIPP Linear actuator connector clamps, cross**

Order No.	Type E	A	B	C	M	V1	V2
K0496.1818	18	18	66	25,5	20	M6x16	M6x16
K0496.3020	30	20	99	40	33	M8x25	M8x25
K0496.3030	30	30	99	40	33	M8x25	M8x25
K0496.4020	40	20	109	40	36	M10x30	M8x25
K0496.4040	40	40	137	60	45	M10x30	M10x30
K0496.5040	50	40	154	70	54	M10x35	M10x35
K0496.5050	50	50	154	70	54	M10x35	M10x35

## Linear actuator connector clamps, stainless steel



cross



**Material:**

Stainless steel, investment cast 1.4308.  
Screws, stainless steel A2.

**Version:**

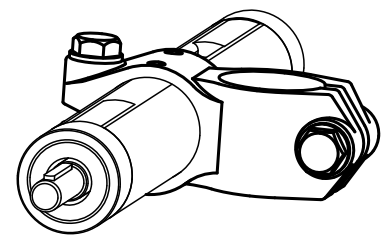
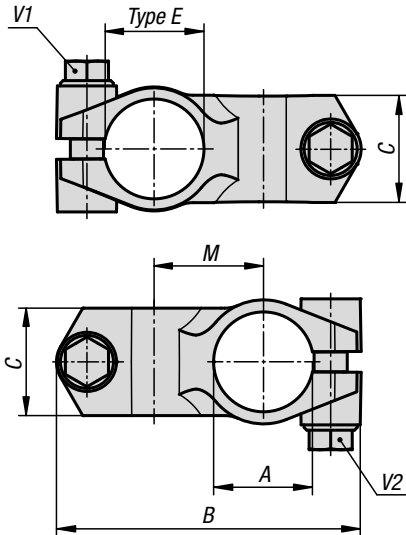
Electropolished.

**Sample order:**

K0496.13030

**On request:**

Clamping levers for tightening.



**KIPP Linear actuator connector clamps, stainless steel, cross**

Order No.	Type E	A	B	C	M	V1	V2
K0496.13030	30	30	92	32,4	33	M8x30	M8x30
K0496.14040	40	40	118	40	42	M10x35	M10x35