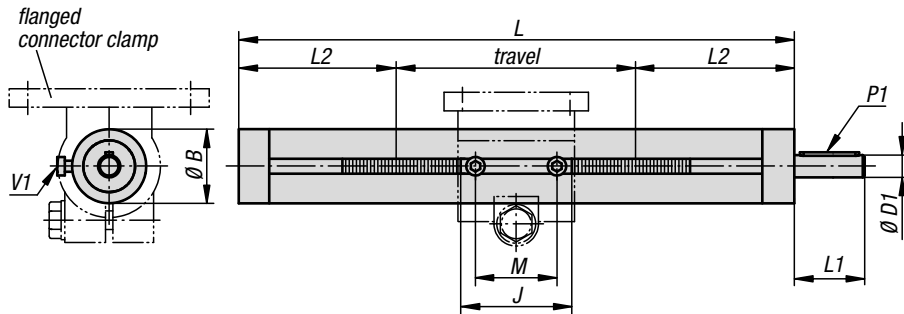
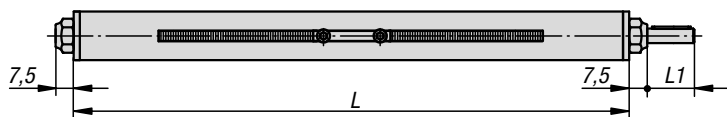


## Linear actuators



Linear actuator  
K0495.18...



**Material, version:**

Precision tube DIN EN 10305, stainless steel 1.4301.  
For type E 18, electro zinc-plated steel.  
Trapezoid thread spindle steel, RH thread, rolled.

**Sample order:**

K0495.300001X500

**Note:**

Medium speed range, self-locking.

**On request:**

LH thread, stainless steel, 2 drive pins, other travel lengths, handwheels.

**Accessories:**

- Guide clamps K0496, K0497, K0498, K0499
- Tube clamps from our tube clamping system

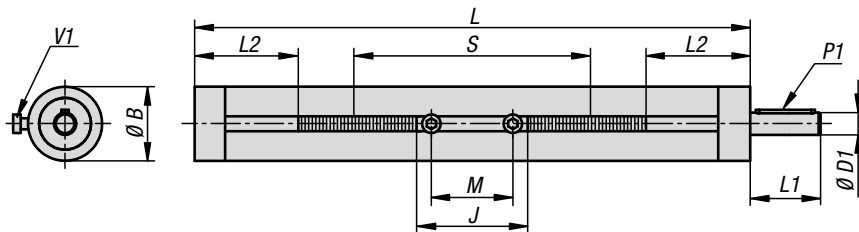
**Functional principle:**

A rotating movement of the threaded spindle is converted into a linear movement of the guide carriage.

### KIPP Linear actuators

Order No.	Version 1	Type E	Spindle	L	Travel S	B	D1	J	L1	L2	M	P1 parallel key DIN 6885	V1
K0495.300001X300	with plain bearing	30	Tr 14x3	300	100	30	8 h8	38	26	100	28	2 x 2 x 20	M4x8
K0495.300001X500	with plain bearing	30	Tr 14x3	500	300	30	8 h8	38	26	100	28	2 x 2 x 20	M4x8
K0495.300001X800	with plain bearing	30	Tr 14x3	800	600	30	8 h8	38	26	100	28	2 x 2 x 20	M4x8
K0495.400001X300	with plain bearing	40	Tr 20x4	300	91	40	12 h8	55	38	104,5	44	4 x 4 x 32	M6x10
K0495.400001X500	with plain bearing	40	Tr 20x4	500	291	40	12 h8	55	38	104,5	44	4 x 4 x 32	M6x10
K0495.400001X800	with plain bearing	40	Tr 20x4	800	591	40	12 h8	55	38	104,5	44	4 x 4 x 32	M6x10
K0495.400001X1000	with plain bearing	40	Tr 20x4	1000	791	40	12 h8	55	38	104,5	44	4 x 4 x 32	M6x10
K0495.500001X500	with plain bearing	50	Tr 20x4	500	265	50	12 h8	63	38	117,5	44	4 x 4 x 32	M6x10
K0495.500001X800	with plain bearing	50	Tr 20x4	800	565	50	12 h8	63	38	117,5	44	4 x 4 x 32	M6x10
K0495.500001X1000	with plain bearing	50	Tr 20x4	1000	765	50	12 h8	63	38	117,5	44	4 x 4 x 32	M6x10
K0495.180101X300	with ball bearing	18	Tr 10x2	300	145	18	6 h9	24	17	77,5	18	2 x 2 x 12	M3x5
K0495.180101X500	with ball bearing	18	Tr 10x2	500	345	18	6 h9	24	17	77,5	18	2 x 2 x 12	M3x5
K0495.300101X300	with ball bearing	30	Tr 14x3	300	100	30	8 h8	38	26	100	28	2 x 2 x 20	M4x8
K0495.300101X500	with ball bearing	30	Tr 14x3	500	300	30	8 h8	38	26	100	28	2 x 2 x 20	M4x8
K0495.300101X800	with ball bearing	30	Tr 14x3	800	600	30	8 h8	38	26	100	28	2 x 2 x 20	M4x8
K0495.400101X300	with ball bearing	40	Tr 20x4	300	91	40	12 h8	55	38	104,5	44	4 x 4 x 32	M6x10
K0495.400101X500	with ball bearing	40	Tr 20x4	500	291	40	12 h8	55	38	104,5	44	4 x 4 x 32	M6x10
K0495.400101X800	with ball bearing	40	Tr 20x4	800	591	40	12 h8	55	38	104,5	44	4 x 4 x 32	M6x10
K0495.400101X1000	with ball bearing	40	Tr 20x4	1000	791	40	12 h8	55	38	104,5	44	4 x 4 x 32	M6x10
K0495.500101X500	with ball bearing	50	Tr 20x4	500	265	50	12 h8	63	38	117,5	44	4 x 4 x 32	M6x10
K0495.500101X800	with ball bearing	50	Tr 20x4	800	565	50	12 h8	63	38	117,5	44	4 x 4 x 32	M6x10
K0495.500101X1000	with ball bearing	50	Tr 20x4	1000	765	50	12 h8	63	38	117,5	44	4 x 4 x 32	M6x10

## Linear actuators, stainless steel



**Material:**

DIN EN 10305 precision tube, stainless steel 1.4301  
Trapezoidal thread spindle, right-hand thread, rolled, stainless steel 1.4301

**Sample order:**

K0495.1300101X500

**Note:**

Medium speed range, self-locking.

Travel S = Length L – (2 x L2 + J).

**On request:**

Left-hand thread, 2 drive cones, other travels or handwheels.

**Accessories:**

- Guides, stainless steel, K0496, K0498, K0499
- Clamping elements of the tubular connection system

**Functional principle:**

A rotating movement of the threaded spindle is converted into a linear movement of the guide carriage.

### KIPP Linear actuators, stainless steel

Order No.	Version 1	Type E	Spindle	L	Travel S	B	D1	J	L1	L2	M	P1 parallel key DIN 6885	V1
K0495.1300101X300	with ball bearing	30	Tr 14x3	300	109	30	8 h8	31	26	80	22	2 x 2 x 20	M4x8
K0495.1300101X500	with ball bearing	30	Tr 14x3	500	309	30	8 h8	31	26	80	22	2 x 2 x 20	M4x8
K0495.1300101X800	with ball bearing	30	Tr 14x3	800	609	30	8 h8	31	26	80	22	2 x 2 x 20	M4x8
K0495.1400101X300	with ball bearing	40	Tr 20x4	300	107	40	12 h8	39	38	77	28	4 x 4 x 32	M6x10
K0495.1400101X500	with ball bearing	40	Tr 20x4	500	307	40	12 h8	39	38	77	28	4 x 4 x 32	M6x10
K0495.1400101X800	with ball bearing	40	Tr 20x4	800	607	40	12 h8	39	38	77	28	4 x 4 x 32	M6x10
K0495.1400101X1000	with ball bearing	40	Tr 20x4	1000	807	40	12 h8	39	38	77	28	4 x 4 x 32	M6x10