

## Reducer sleeves

square

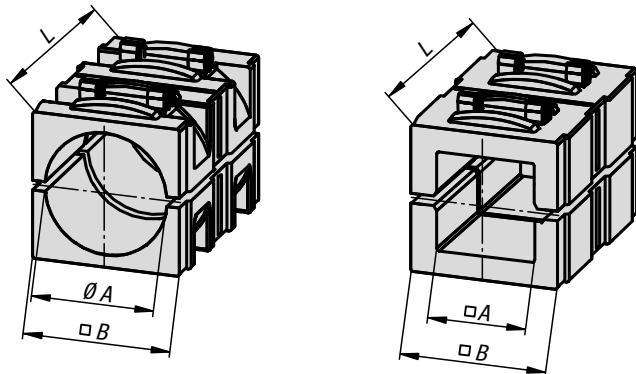


**Material:**  
Thermoplastic.

**Version:**  
black.

**Sample order:**  
K0491.03020

**Note:**  
Reducer sleeves are for clamping smaller tubes or where a conversion of square to round tubes is required.



### KIPP Reducer sleeves, square

Order No.	Version 2	A	B	L
K0491.03020	for round tubes	Ø 20,25	30,3	45
K0491.03025	for round tubes	Ø 25,25	30,3	45
K0491.03030	for round tubes	Ø 30,25	30,3	45
K0491.13020	for square tubes	20,5	30,3	45
K0491.13025	for square tubes	25,5	30,3	45

## Reducer sleeves

round

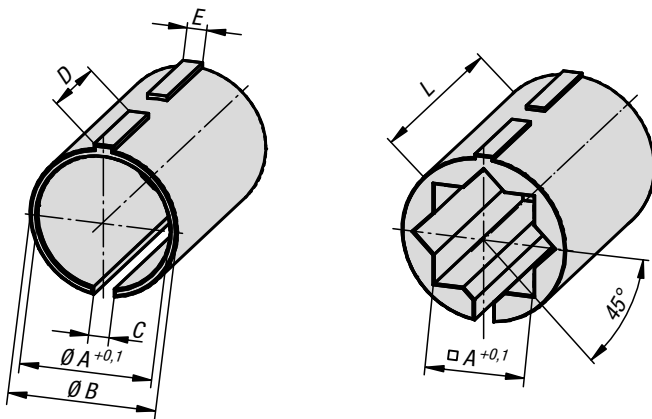


**Material:**  
Thermoplastic.

**Version:**  
black.

**Sample order:**  
K0492.03020

**Note:**  
Reducer sleeves are for clamping smaller tubes or where a conversion of round to square tubes is required.



### KIPP Reducer sleeves, round

Order No.	Version 2	A	B	C	D	E	L
K0492.01812	for round tubes	12,25	18	2,5	11,9	2,4	30
K0492.01814	for round tubes	14,25	18	2,5	11,9	2,4	30
K0492.01815	for round tubes	15,25	18	2,5	11,9	2,4	30
K0492.01816	for round tubes	16,25	18	2,5	11,9	2,4	30
K0492.03020	for round tubes	20,25	30	3,5	18,9	3,4	45
K0492.03025	for round tubes	25,25	30	3,5	18,9	3,4	45
K0492.11810	for square tubes	10,25	18	2,5	11,9	2,4	30
K0492.13020	for square tubes	20,25	30	3,5	18,9	3,4	45